



# Spare Parts Catalogue

## B&C Design [C48-M]

Revision: 001 Date: 14/04/2021



This pdf Manual has been created on the date indicated.  
The latest version (inter-active) is available on web-site [www.sandenvendo.com](http://www.sandenvendo.com) Client Area.  
Thank you



English Version

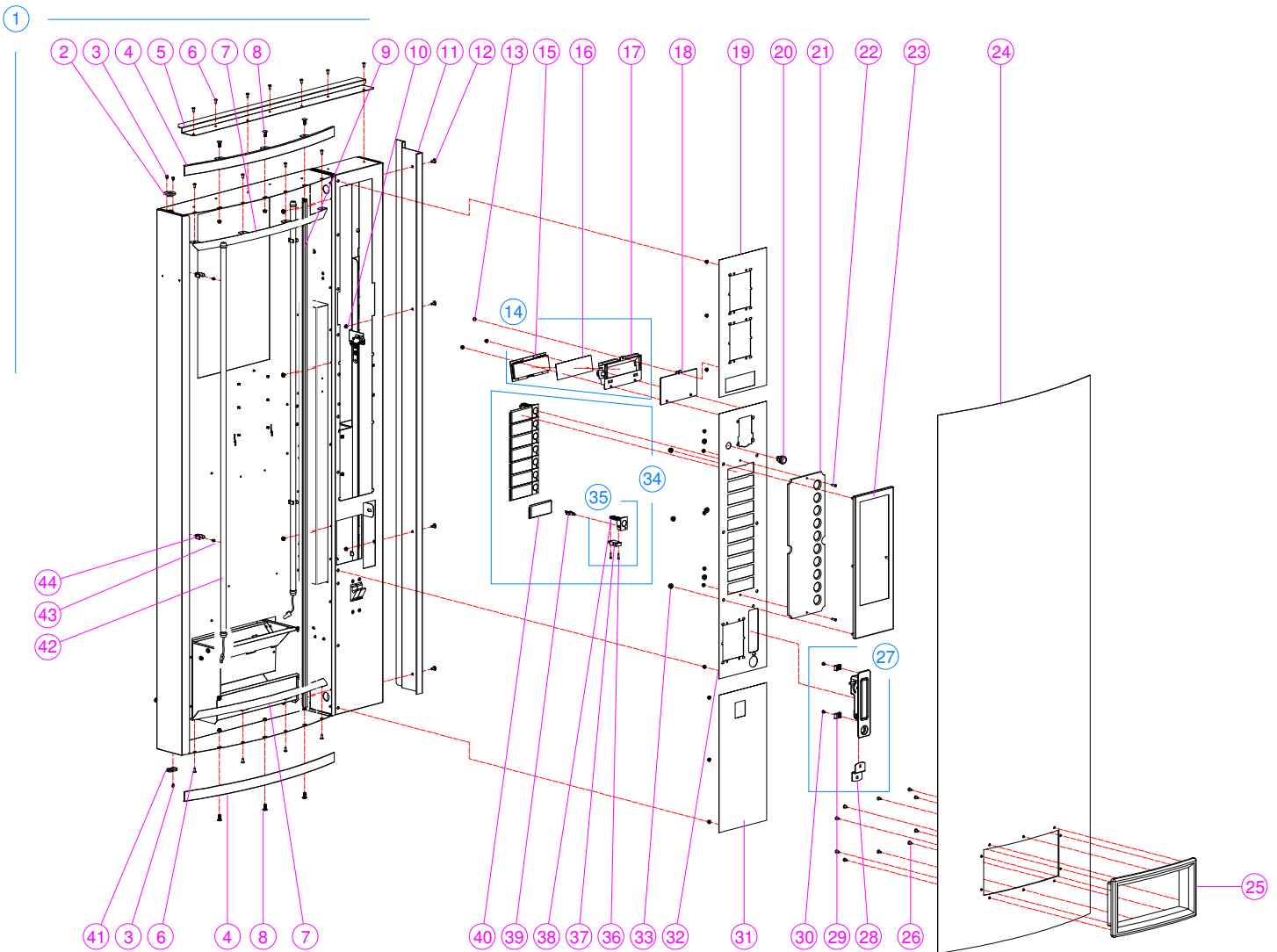
**Vendo**  
SANDEN

SandenVendo Europe S.p.A. - Regione Cavallino,2 - 15030 Coniolo (AL) - Italy

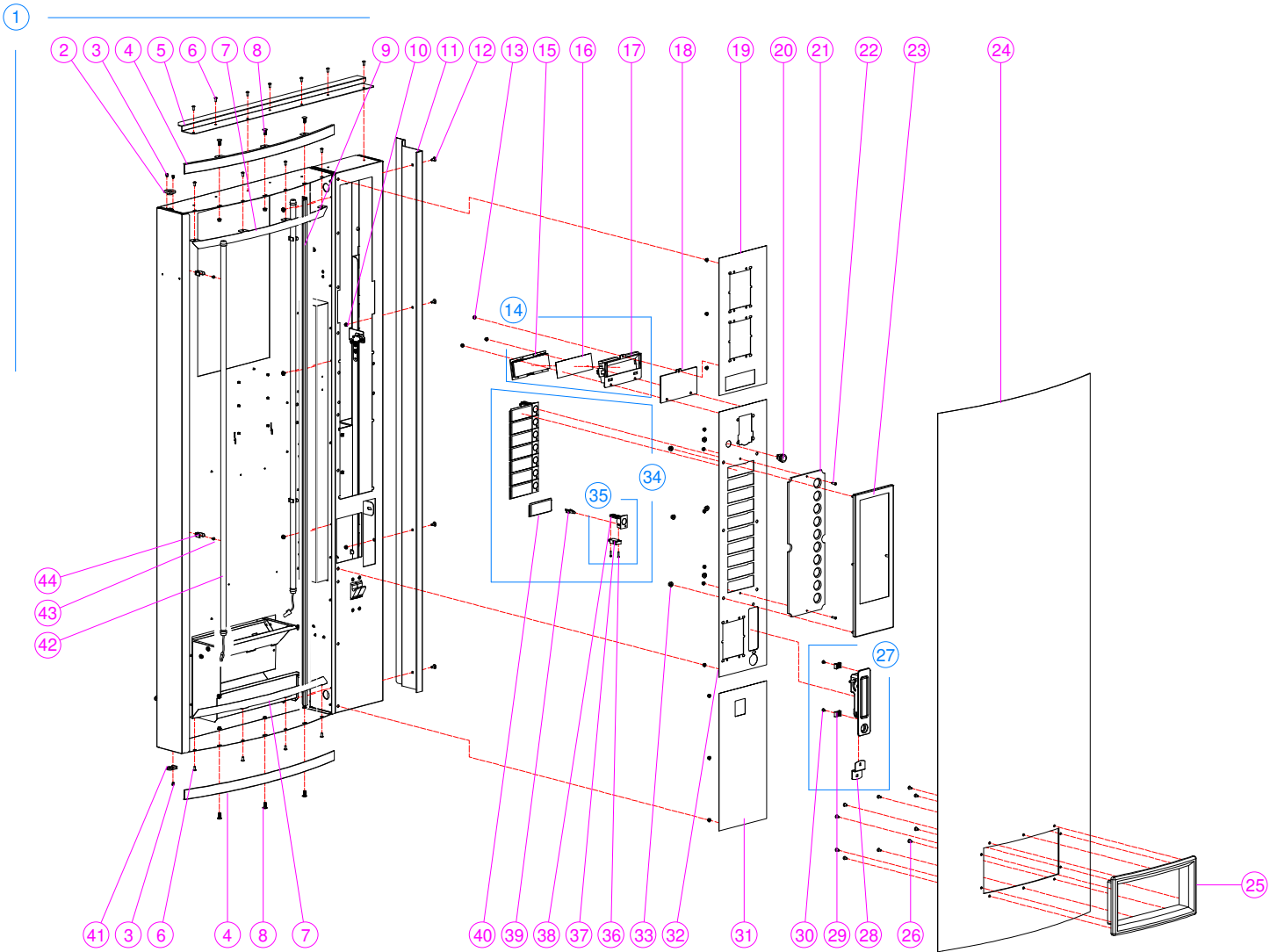
Tel. +39 0142.335119 - Fax +39 0142.562348 - E-mail: [marketing@sandenvendo.it](mailto:marketing@sandenvendo.it) - Web: [www.sandenvendo.com](http://www.sandenvendo.com)

# Index

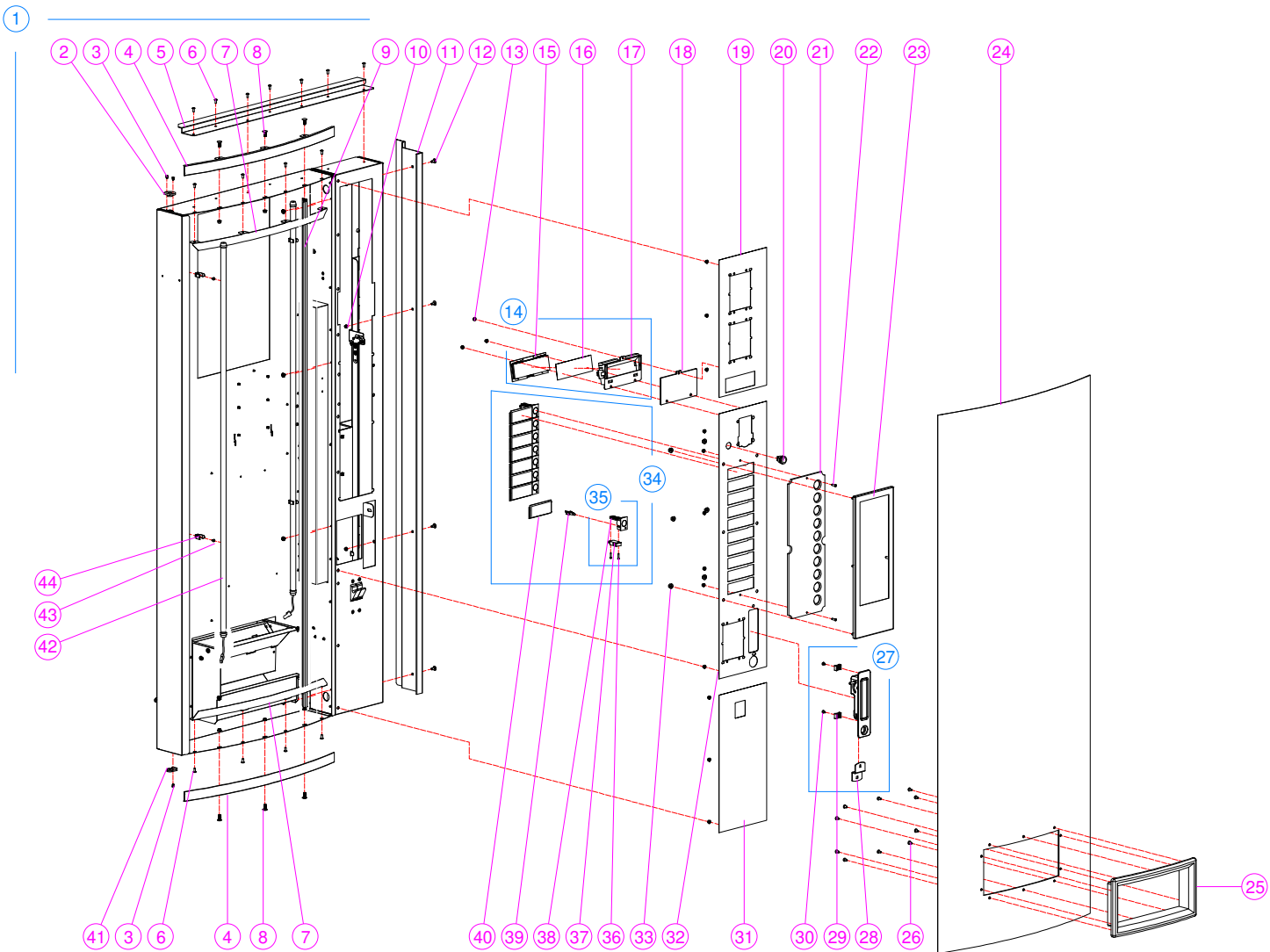
Contents	Page
Door: Exterior	2
Door: Interior	5
Delivery Eyelet	7
Plug - Collar - Window	8
Coin Insert	9
Lock	11
Cabinet	12
Inner Door	14
Box Transformer	16
Complete Mechanism	19
Vend Mechanism	20
Delivery Product Mechanism	21
Column Implementation	23
Refrigerant Unit	31
Kit Outdoor	34
Electrical diagram	35
Various Kit	36



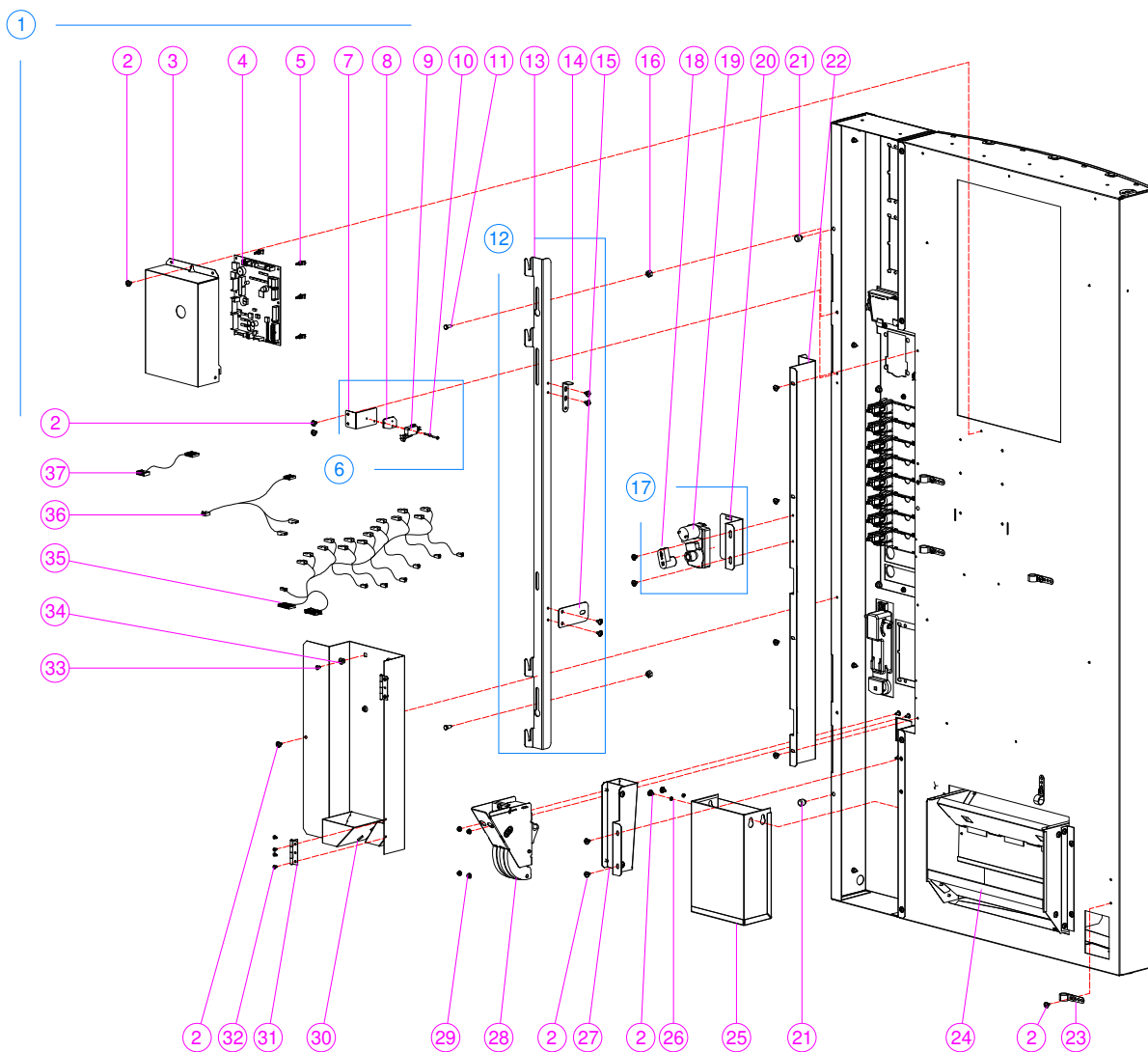
Pos	Code	Description	Serial Number Nota
1	145429/2	DOOR ASSY C48-M	
2	399693	HINGE COMPASS	
3	381603/5	SCREW TSP+ 2,9X9,5	
4	415794	EXTERNAL TRIM PANEL M	
5	416229/1	UPPER DOOR PROTECTION C48	3114003652 - Z
6	390559	POP RIVET BLACK 4,9X10	
7	415793	INTERNAL TRIM PANEL M	
8	386797/1	CARRIAGE BOLT M5	
9	415676	INNER FRAME RH	
10	398224/2	NUT, FLANGED 5MA MILLED	3114003652 - Z
11	144290	LATERAL DOOR PROFILE WELD ASSY	0 - 3022009400
11	416701	UPRIGHT RH	3114003652 - Z
12	375973/4	SCREW TTQST 5MAx20	3114003652 - Z
13	398224/1	NUT, FLANGED 4MA MILLED	
14	143116	DISPLAY ASSY	
15	411490	DISPLAY VFD 256X64	
16	411519	BLUE DISPLAY GLASS	
17	411467	SUPPORT, DISPLAY	
18	413598/1	DISPLAY GLASS	
19	145434/1	TOP PLATE WELD ASSY	
20	408964	PUSH BUTTON EAO	



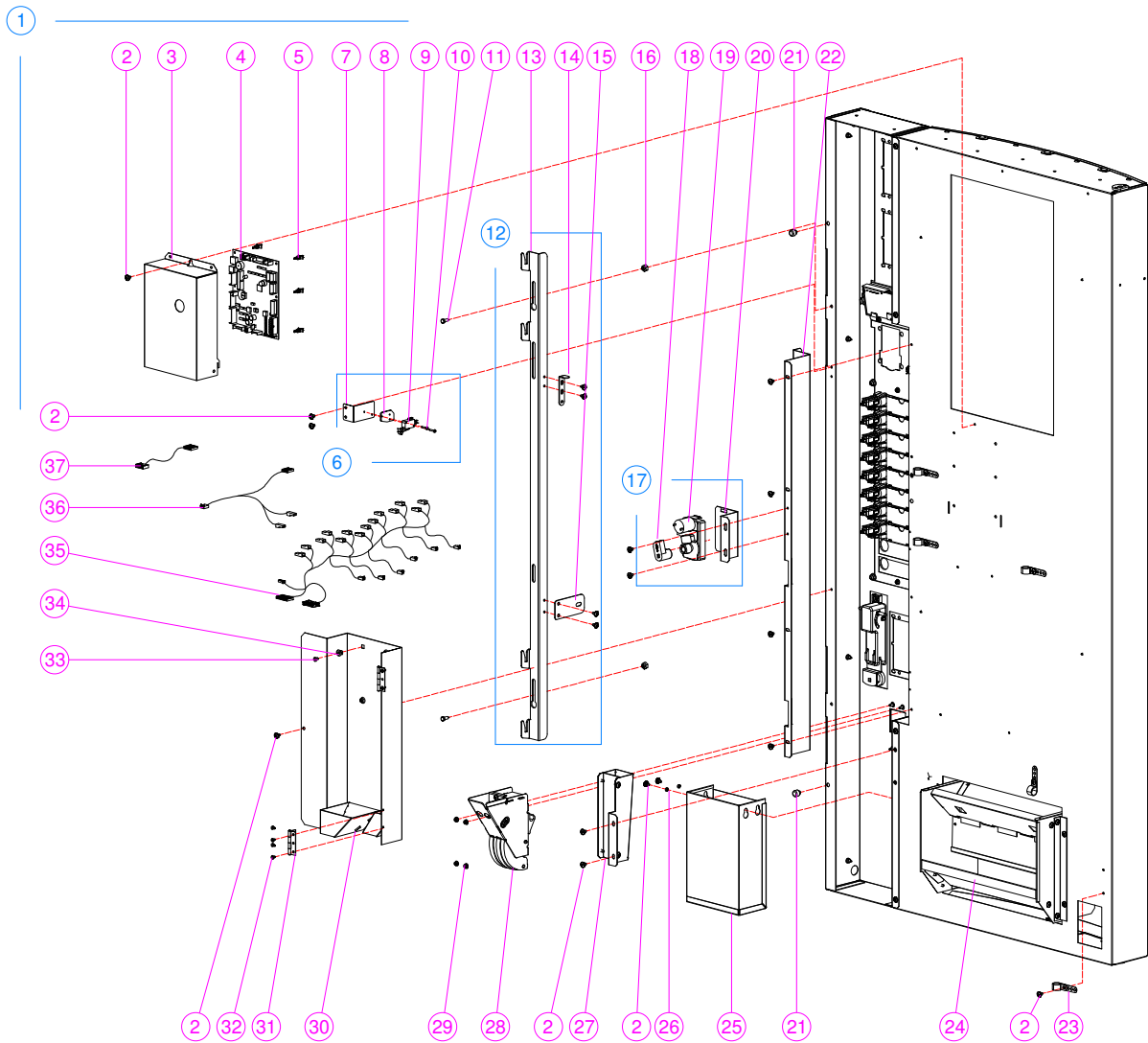
Pos	Code	Description	Serial Number Nota
21	415499	PUSH BUTTONS PROTECTION PANEL	
22	386368/2	SELF HOOKING STUD PFH 4MAX15	
23	145308/2	8 SEL. CONTROL PANEL PROTECTION WELD ASSY	
24	415807	LIGHT PANEL MEDIUM	Not included in the assembly
25	388271	EYELET TRIM	
26	V800622	SCREW TC+ 4,8X12	
27	143650	CLOSURE DOOR ASSY	
28	412273	LOCK LEVER	
29	412476/1	SINGLE FIXING SUPPORT	
30	V800611	SCREW TC+ 4,2X 9,5	
31	145483	BOTTOM PLATE WELD ASSY	
32	145485	CENTRAL PLATE WELD ASSY	
33	398224/3	NUT, FLANGED 6MA MILLED	
34	137260/3	8 SELECTION PANEL ASSY	
35	136368	PUSH BUTTON ASSY	
36	381603/3	SCREW TC+2,9X16	
37	398287	REAR MECHANISM 7CL.	
38	395076	HOUSING SELECTION BUTTON	
39	136553	LED ASSY	
40	135176	WINDOW ASSY	
41	386896	COMPASS PLASTIC HINGE	



Pos	Code	Description	Serial Number Nota
42	407742/4	LED TUBE 1200mm	
43	V801441	SCREW T1/2T 3,5X6,5	
44	402698	CLIP Ø16	

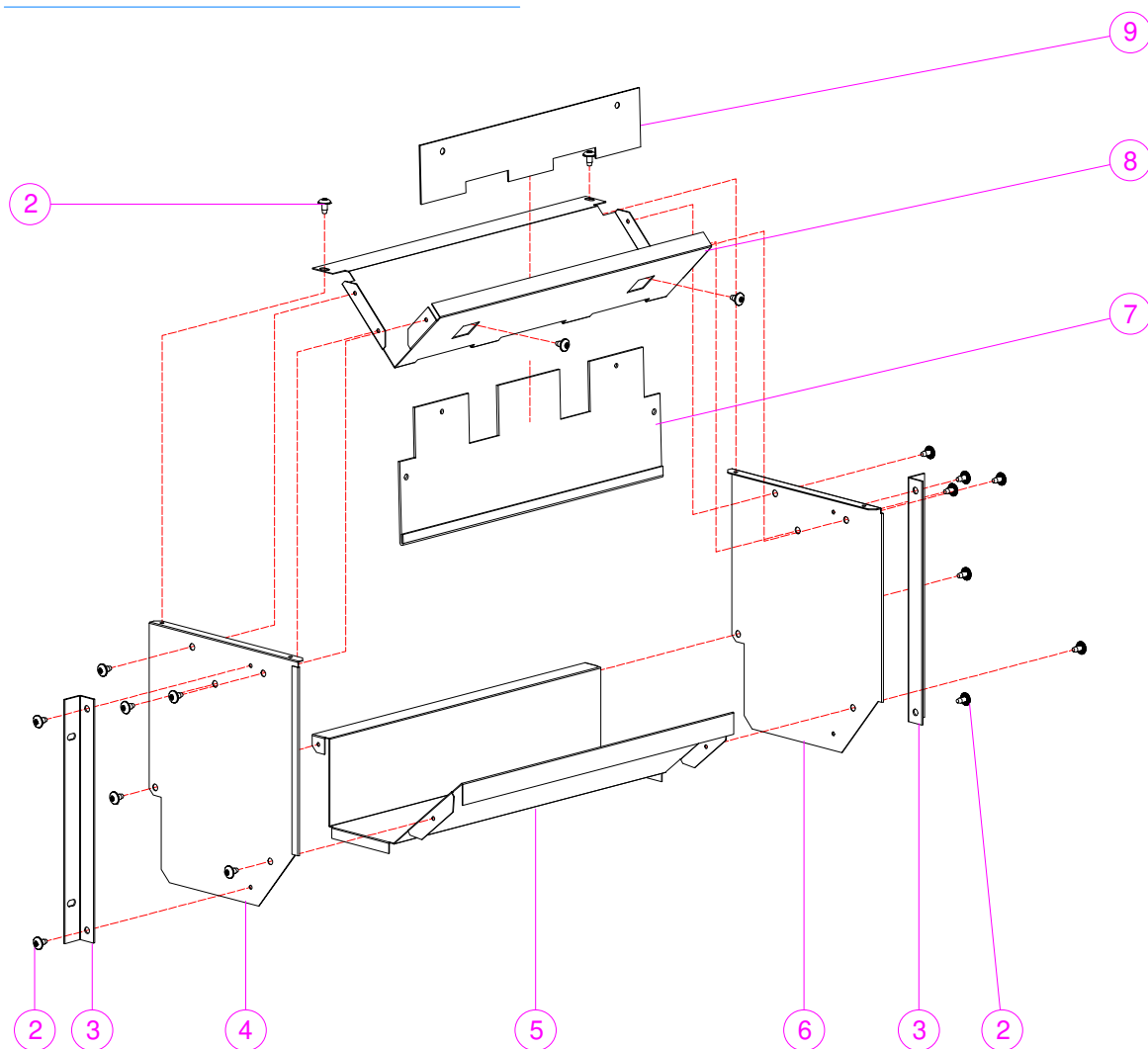


Pos	Code	Description	Serial Number Nota
1	145429/2	DOOR ASSY C48-M	
2	V800570	SCREW T1+4,8X9,5 S.POINT	
3	415216	COVER BOARD	
4	411141/1	BOARD SVE01	
5	386348	SUPPORT	
6	145504	MICRO RESET ASSY	
7	415778	MICROSWITCH SUPPORT PLATE	
8	340025/4	SWITCH INSULATOR	
9	337576	SWITCH	
10	381603/3	SCREW TC+2,9X16	
11	397534	SCREW M5 X 12	
12	145505	SLIDING ROD ASSY	
13	415776	SLIDING ROD	
14	396916	RESET SWITCH ACTUATOR	
15	415777	SLIDING LOCK ROD CONTROL BRKT	
16	408600	GUIDE BUSHING	
17	145397	COINS RETURN MOTOR ASSY	
18	411352	MONEY RETURN CAM	
19	411892	FIBER MOTOR	
20	415642	COINS RETURN MOTOR SUPPORT	
21	394693	ANTI-SHOCK RUBBER	



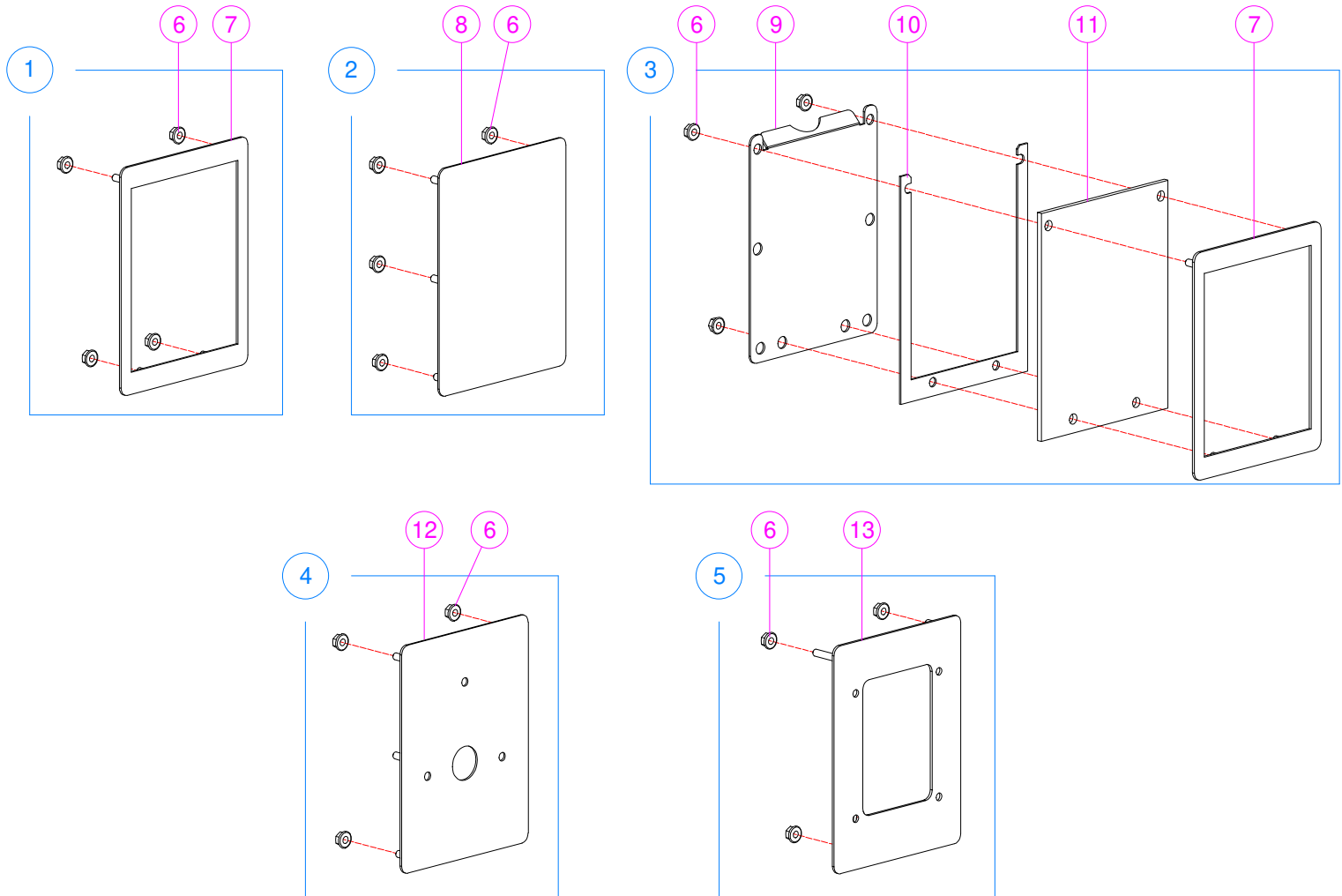
Pos	Code	Description	Serial Number Nota
22	415170	DOOR CENTRAL REINFORCE	
23	369816/1	CLAMP CABLE FASTENER	
24	145277	DELIVERY EYELET ASSY B&C NEW LINE	Pag. 7
25	143868	COIN BOX STD	
26	386067/5	BRASS SPACER 5x7x2.5	
27	145492	CASH CHANNEL ASSY	
28	137126	COIN RETURN ASSY	
29	398224/1	NUT, FLANGED 4MA MILLED	
30	145388	COINAGE HATCH ASSY	
31	395336	HINGE	
32	V801441	SCREW T1/2T 3,5X6,5	
33	V800611	SCREW TC+ 4,2X 9,5	
34	323005	SNAP IN NUT	
35	145114	SELECTION/LED HARNESS NL2019	
36	143431	COIN RETURN MOTOR HARNESS	
37	144166/2	DISPLAY HARNESS	

1

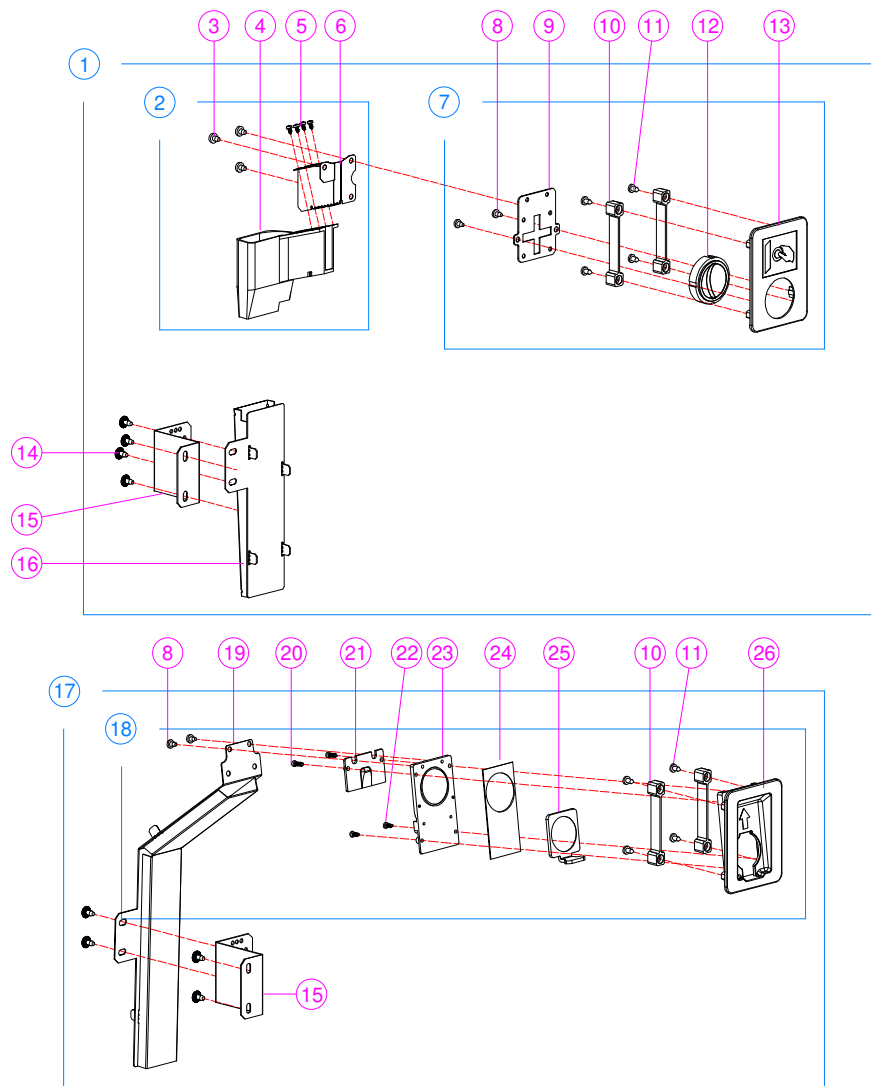


Pos	Code	Description	Serial Number Nota
1	145277	DELIVERY EYELET ASSY B&C NEW LINE	
2	V800570	SCREW T1+4,8X9,5 S.POINT	
3	414938	DELIVERY EYELET SIDE BRKT	
4	414930	DELIVERY EYELET RH SIDE	
5	414931	DELIVERY EYELET BOTTOM	
6	414930/1	DELIVERY EYELET LH SIDE	
7	400555	ANTI-THEFT DOOR	
8	414937	DELIVERY EYELET TOP	
9	396738	ANTI-THEFT BRKT	

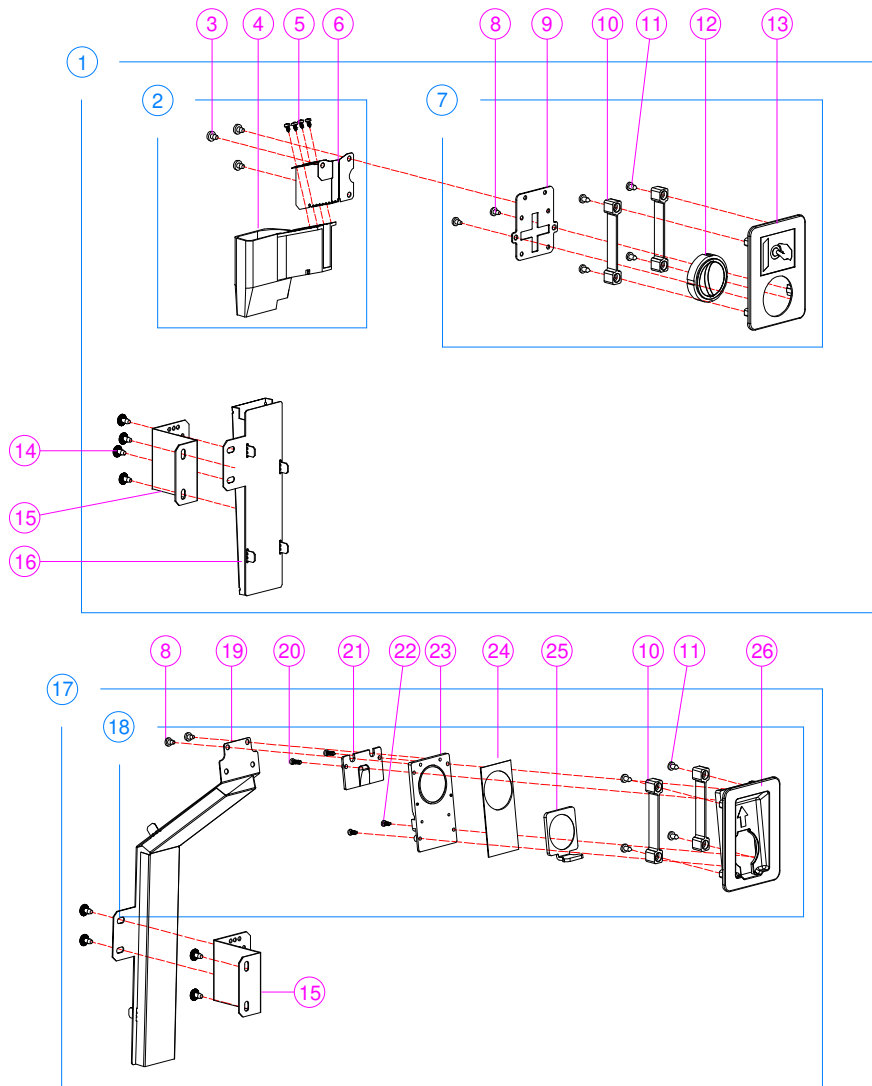




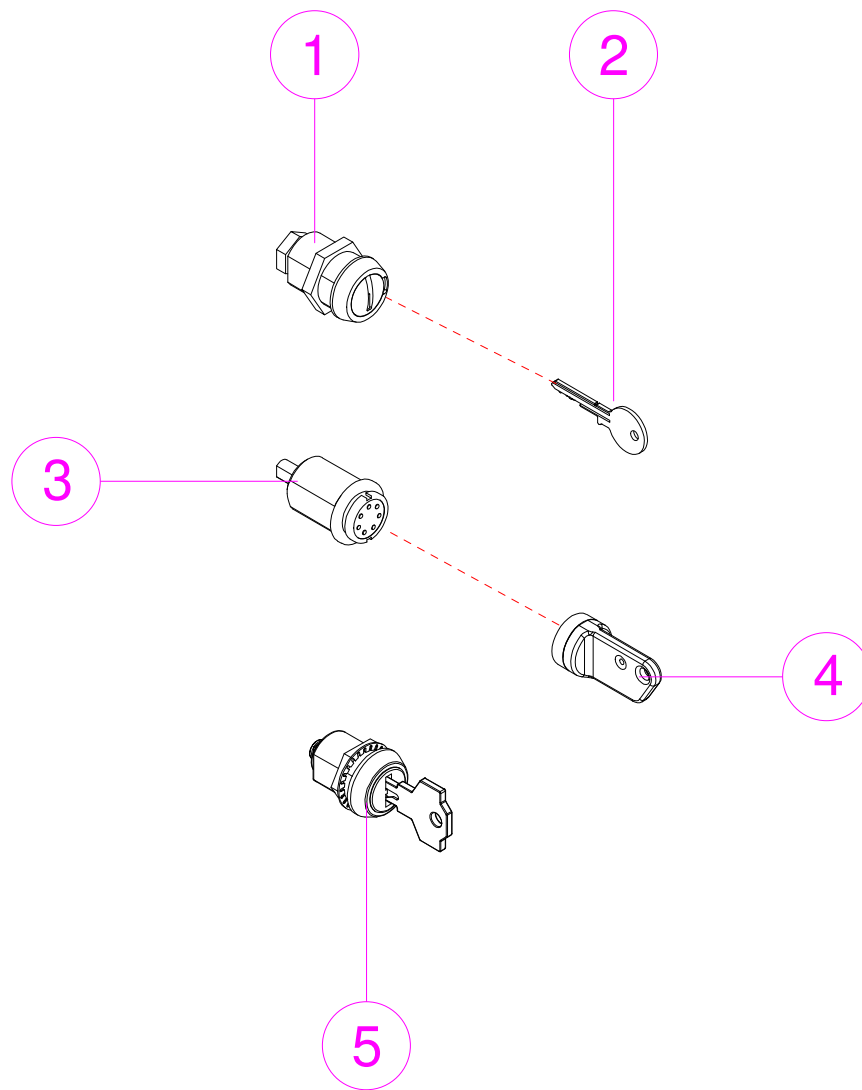
Pos	Code	Description	Serial Number Nota
1	141997	MC KIT COLLAR DESIGN LINE	
2	141997/1	MT KIT PLUG DESIGN LINE	
3	141997/2	MV KIT WINDOW DESIGN LINE	
4	141997/3	MO KIT PLUG NAYAX	
5	141997/4	MS KIT PLUG NAYAX V TOUCH	
6	398224/1	NUT, FLANGED 4MA MILLED	
7	139515	CVB COLLAR WELD ASSY	
8	138859	CBV HOLE COVER WELD ASSY	
9	399049	REAR COVER	
10	413611	GUIDE	
11	413609	WINDOW PANEL	
12	138859/12	NAYAX ONYX COVER WELD ASSY	
13	139515/7	V TOUCH COLLAR WELD ASSY	



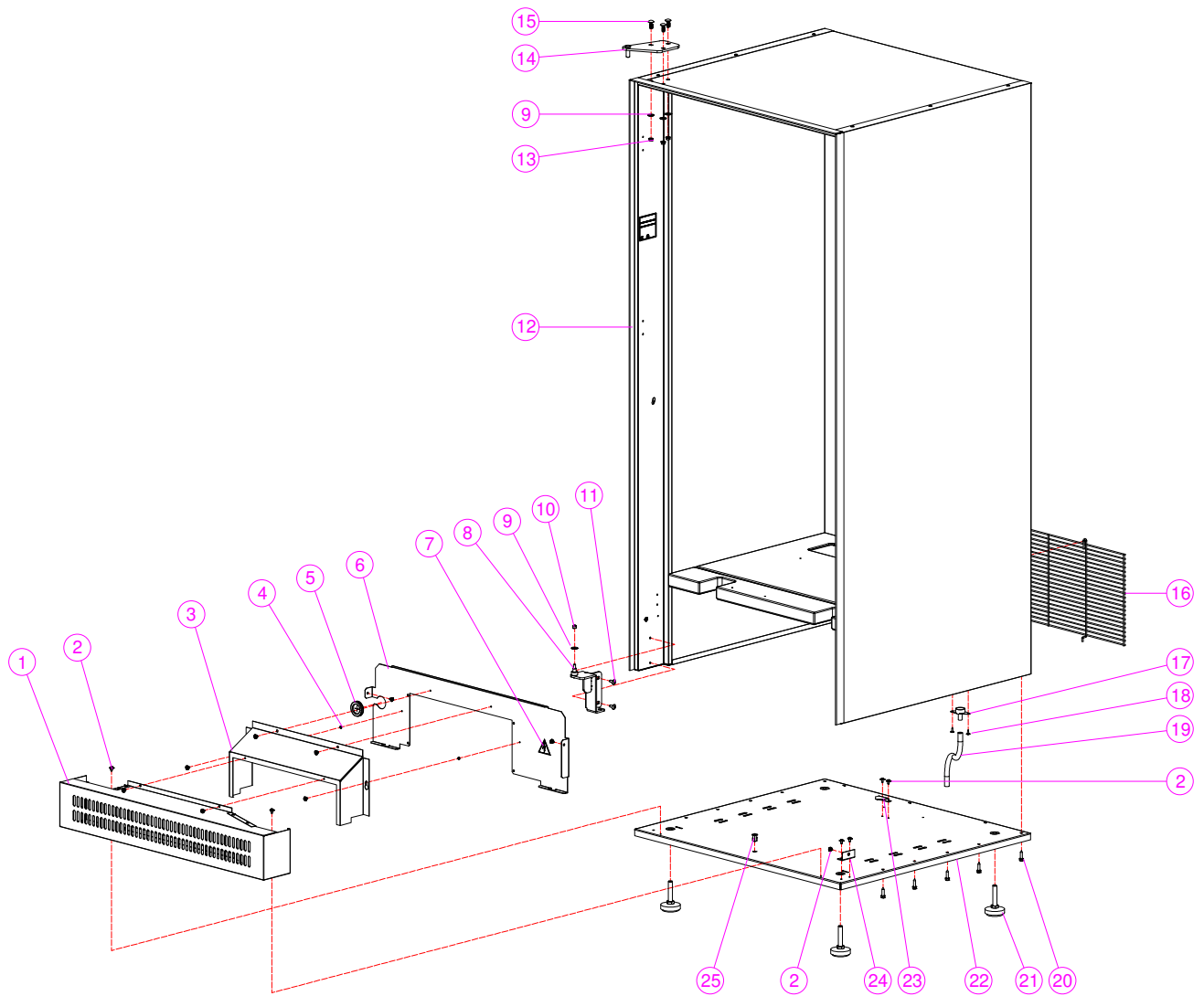
Pos	Code	Description	Serial Number Nota
1	145515	IT COINS INSERT STD	
2	145293	COINS CHANNEL ASSY STD	
3	V800569	SCREW TC+ 4,8x6,5	
4	392296/2	COIN CHANNEL	
5	381603/4	SCREW TC+ 2,9X6,5	
6	415437	FRONT COINS CHANNEL	
7	143672	STD COIN INSERT ASSY	
8	V800565	SCREW T1/2T+ 4,2X6,5	
9	412392	COIN INSERT FLANGE	
10	412476	DOUBLE FIXING SUPPORT	
11	V800611	SCREW TC+ 4,2X 9,5	
12	412213	STD COIN INSERT MODULE	
13	412322	STD COIN INSERT	
14	V800570	SCREW T1+4,8X9,5 S.POINT	
15	415803	CHANEL BRACKET SUPPORT	
16	145514	COINS CHANNEL ASSY (SCI)	
17	145513	ST COINS INSERT SCI	
18	143597	SLIDE COIN INSERT ASSY	
19	145512	COINS CHANNEL ASSY SCI	
20	402902	SCREW FOR PLASTIC TC+ 3,5x12	
21	412324	COINS DEFLECTOR	



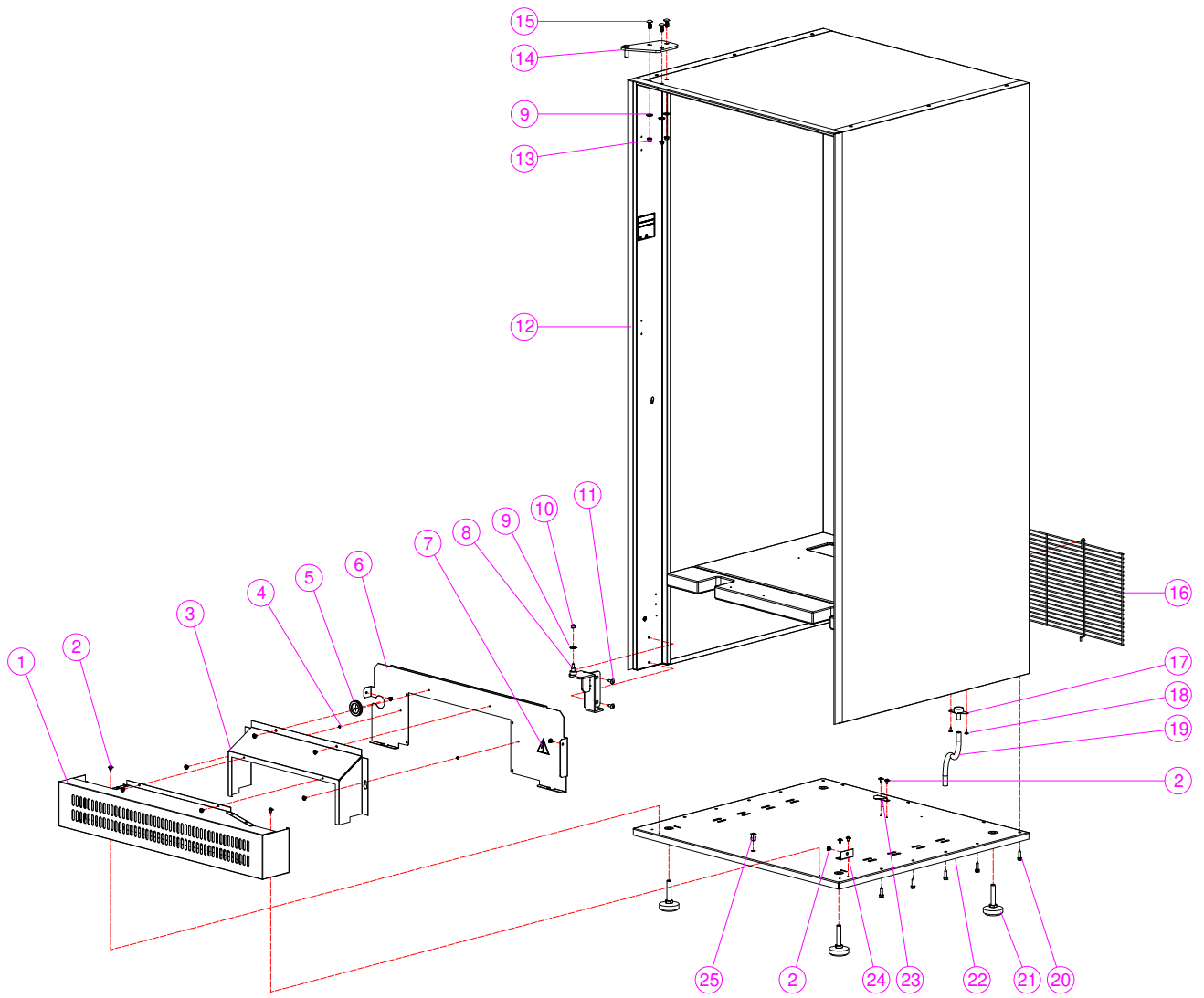
Pos	Code	Description	Serial Number Nota
22	402902/1	SCREW FOR PLASTIC TC+ 3,5x9	
23	412323	SLIDE REAR PLATE	
24	412325	SCROLLING PLATE	
25	412326	DRAFT COINS INSERT	
26	412212	SLIDE COIN INSERT	



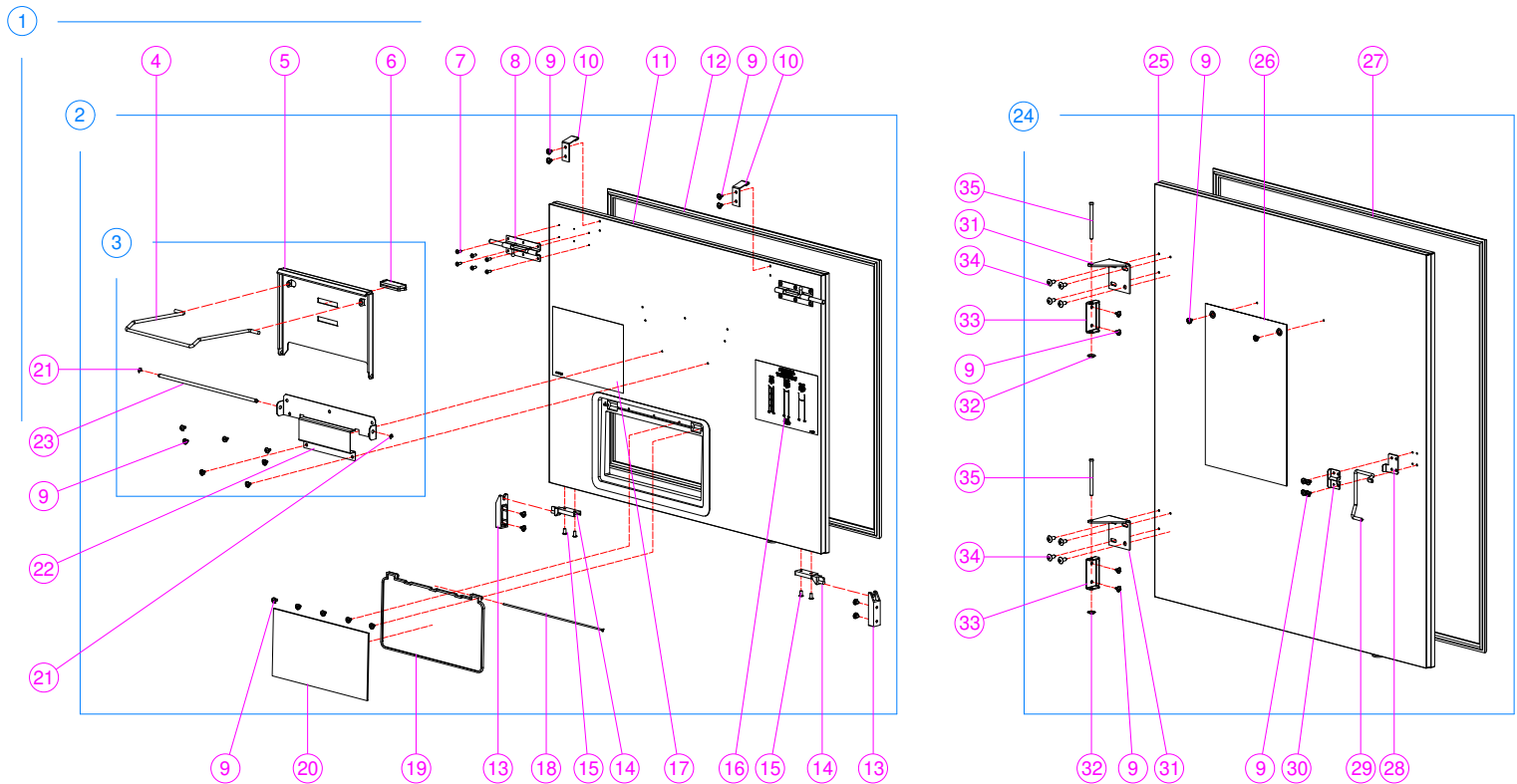
Pos	Code	Description	Serial Number Nota
1	411746	LOCK RIELDA VENDO MOD.583	
2	408306	SILVER KEY AJSAND VENDO	Only with p/n 411746
3	412238	LOCK LC90RM1	
4	412239	KEY K5KEYM1	Only with p/n 412238
5	412383	LOCK G10B4KA1000 NUMBER 2001	
5	412383/1	LOCK G10B4KD DIFERENT NUMBER	
5	412383/2	LOCK G10B4KA CIF.12027	
5	412383/3	LOCK G10B4KA CIF.16260	
5	412383/4	LOCK G10B4KA CIF.22805	



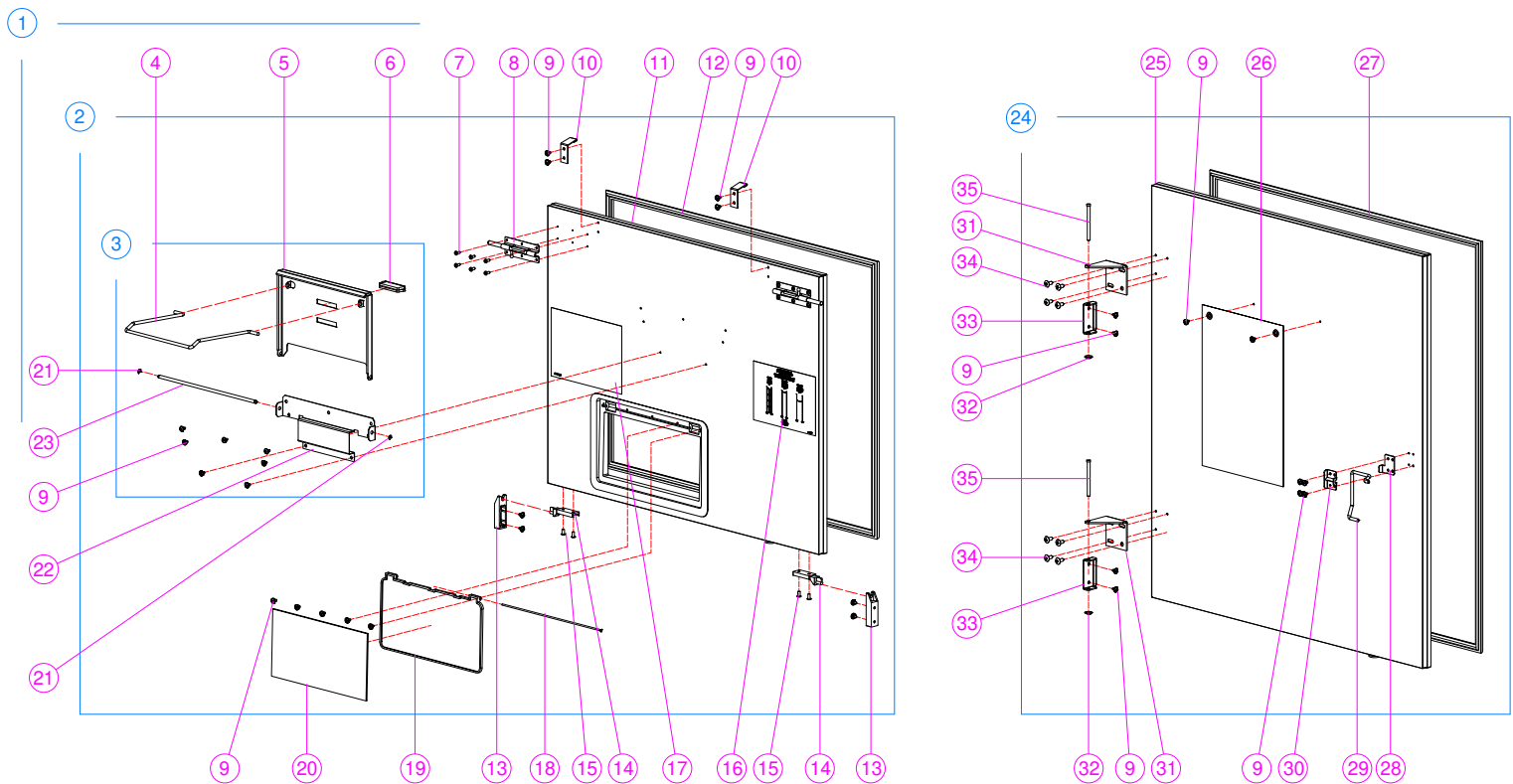
Pos	Code	Description	Serial Number Nota
1	145507/1	FRONT GRILL ASSY C48-M	
2	V800570	SCREW T1+4,8X9,5 S.POINT	
3	415323	CONDENSER AIR CONVEYOR 4D	
4	386067/2	BRASS SPACER 5x7x2	
5	413904/1	FAIRLEAD	
6	414416	REFR. SYSTEM MEDIUM COVER	
7	391152	HIGH VOLTAGE LABEL	
8	144782	DOOR LOWER HINGE WELD ASSY	
9	38148	FLAT WASHER 6X18X1.5	
10	390058	SELF-BLOCKING NUT M6	
11	V800876	SCREW T1/2T+ 6,3X19	
12	145417/1	CABINET FOAMED ASSY C48-M	
13	398224/3	NUT, FLANGED 6MA MILLED	
14	145213	TOP HINGE WELD ASSY	
15	386237/1	SCREW TTQST 6MAX20	
16	137779/1	BACK PROTECTION ASSY	
17	395393	CONDENSER DISCHARGE	
18	390139	SCREW TTFR+ 4,2X13	
19	398883	TRANSPARENT TUBE Ø10x14	
20	386718/5	SCREW 6,3x25	
21	139824	KIT LEVELING FEET M12 (4pcs x P/N403897)	



Pos	Code	Description	Serial Number Nota
21	386804	LEVELLING SCREW	
22	145420/1	CABINET BASE ASSY C48-M	
23	411107	BRACKET REFRIGERANT SYSTEM	
24	386766	CABINET BASE BRACKET	
25	381023	FEMALE THREAD	

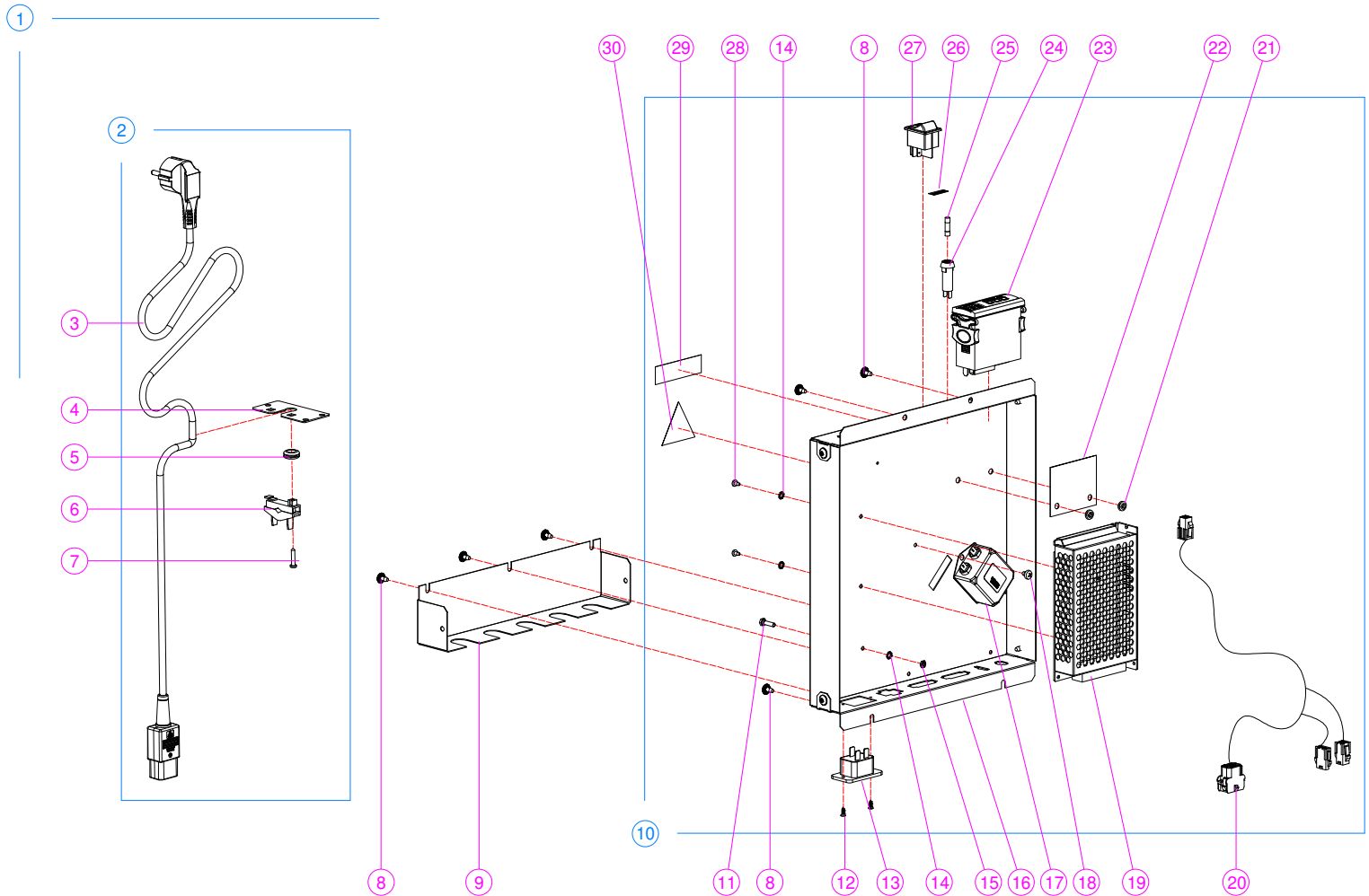


Pos	Code	Description	Serial Number Nota
1	142336/1	DOOR DOUBLE INST. ASSY MEDIUM	
2	142333/1	BOTTOM INNER DOOR ASSY MEDIUM	
3	139257	TABLE ASSY	
4	395955	TABLE PIN	
5	395954	TABLE	
6	399065	MAGNET SOUTHCO 02-10-201-10/2	
7	V800535	SCREW 4,2x13	
8	392749/1	SPRING LATCH	
9	V800570	SCREW T1+4,8X9,5 S.POINT	
10	414283	LIFTDOOR	
11	142332/1	BOTTOM INNER DOOR FOAMED MED.	
12	401243/40	BOTTOM COUNTERDOOR GASK. MEDIUM	
13	399027	SUPPORT	Not included in the assembly P/N 142333/1
14	399220	HINGE	
15	390559	POP RIVET BLACK 4,9X10	
16	393893	INFORMATION SHEET	
17	404657	INNER DOOR DANGER DECAL	
18	386662/1	PIN DELIVERY DOOR	
19	396072	DELIVERY DOOR	
20	394151/6	INSULATOR	
21	381442/2	SEEGER Ø4 DIN 6799	

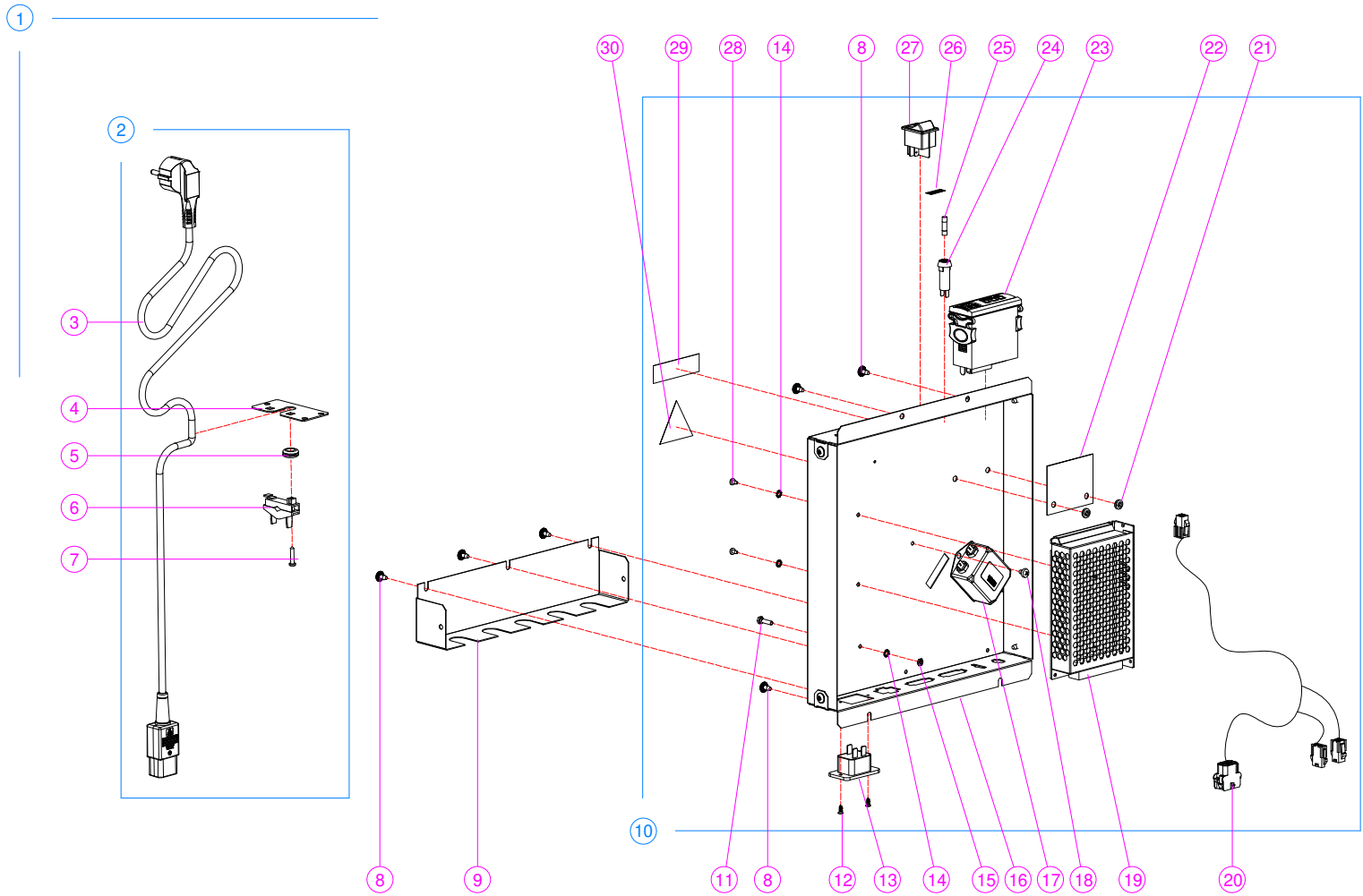


Pos	Code	Description	Serial Number Nota
22	402894	TABLE SUPPORT	
23	393716	PIN	
24	142335/1	UPPER INNER DOOR ASSY MEDIUM	
25	142334/1	UPPER INNER DOOR FOAMED MEDIUM	
26	395817	NYLON BAG	
27	401243/36	UPPER INNER DOOR GASKET MEDIUM	
28	395030	PARTION PLATE	
29	395028	HANDLE GUIDE	
30	395029	HANDLE GUIDE	
31	414280	INNER DOOR HINGE	
32	415514/1	SAFETY WASHER-KS-D4,0	Not included int the assembly P/N 142335/1
33	414331	INNER DOOR HINGE	Not included int the assembly P/N 142335/1
34	V800876	SCREW T1/2T+ 6,3X19	
35	392026	HINGE PIN	Not included int the assembly P/N 142335/1

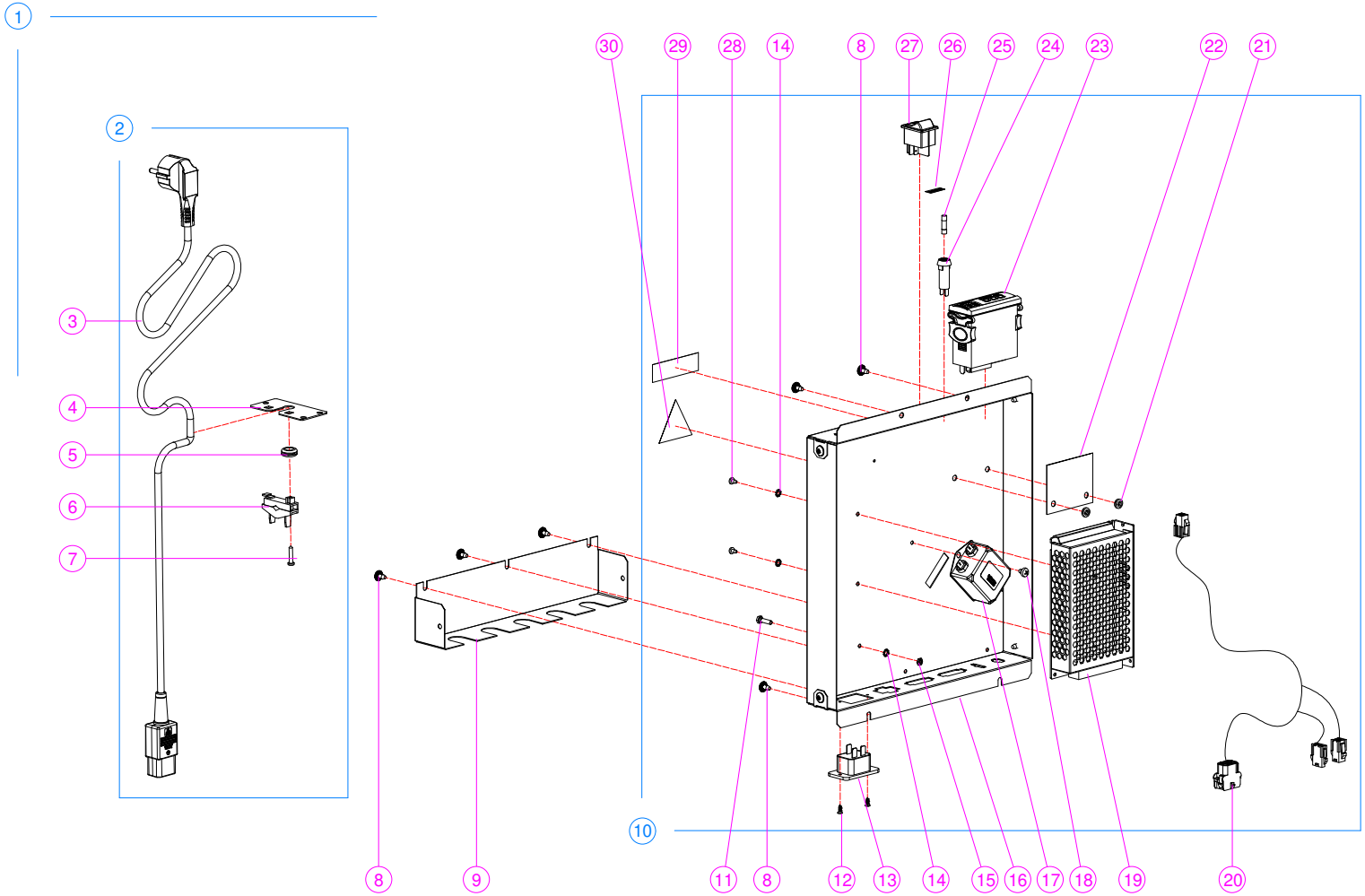




Pos	Code	Description	Serial Number Nota
1	145502	S2 SUPPLY BOX ASSY B&C STD	
1	145502/1	S3 SUPPLY BOX ASSY B&C UK	
1	145502/2	S1 SUPPLY BOX ASSY B&C CH	
1	145502/3	S5 SUPPLY BOX ASSY B&C TW	
2	145765	SERVICE CORD ASSY C19_STD	Only with P/N 145502
2	145765/1	SERVICE CORD ASSY C19_UK	Only with P/N 145502/1
2	145765/2	SERVICE CORD ASSY C19_CH	Only with P/N 145502/2
2	145765/3	SERVICE CORD ASSY C19-TW	Only with P/N 145502/3
3	404821	SHUKO IEC-16 ALIMENTATION HARNESS	Only with P/N 145765
3	405548	MARS SERVICE CORD ASSEMBLY	Only with P/N 145765/1
3	415294/1	SERVICE CORD SWITZERLAND-C19	Only with P/N 145765/2
3	412732/5	SERVICE CORD JAPAN	Only with P/N 145765/3
4	416392	SERVICE CORD BLOCK PLATE	
5	408200	THREAD RING GUIDE	
6	408201	CABLE GRAND	
7	390558/1	SCREW 3,9 X 18	
8	V800570	SCREW T1+4,8X9,5 S.POINT	
9	415813	SERVICE CORD BLOCK	
10	145501	POWER BOX ASSY B&C	Only with P/N 145502, .../1 and .../2
10	145501/1	POWER BOX ASSY B&C TW	Only with P/N 145502/3
11	381643	SCREW TE 4MAx16 BRASS	

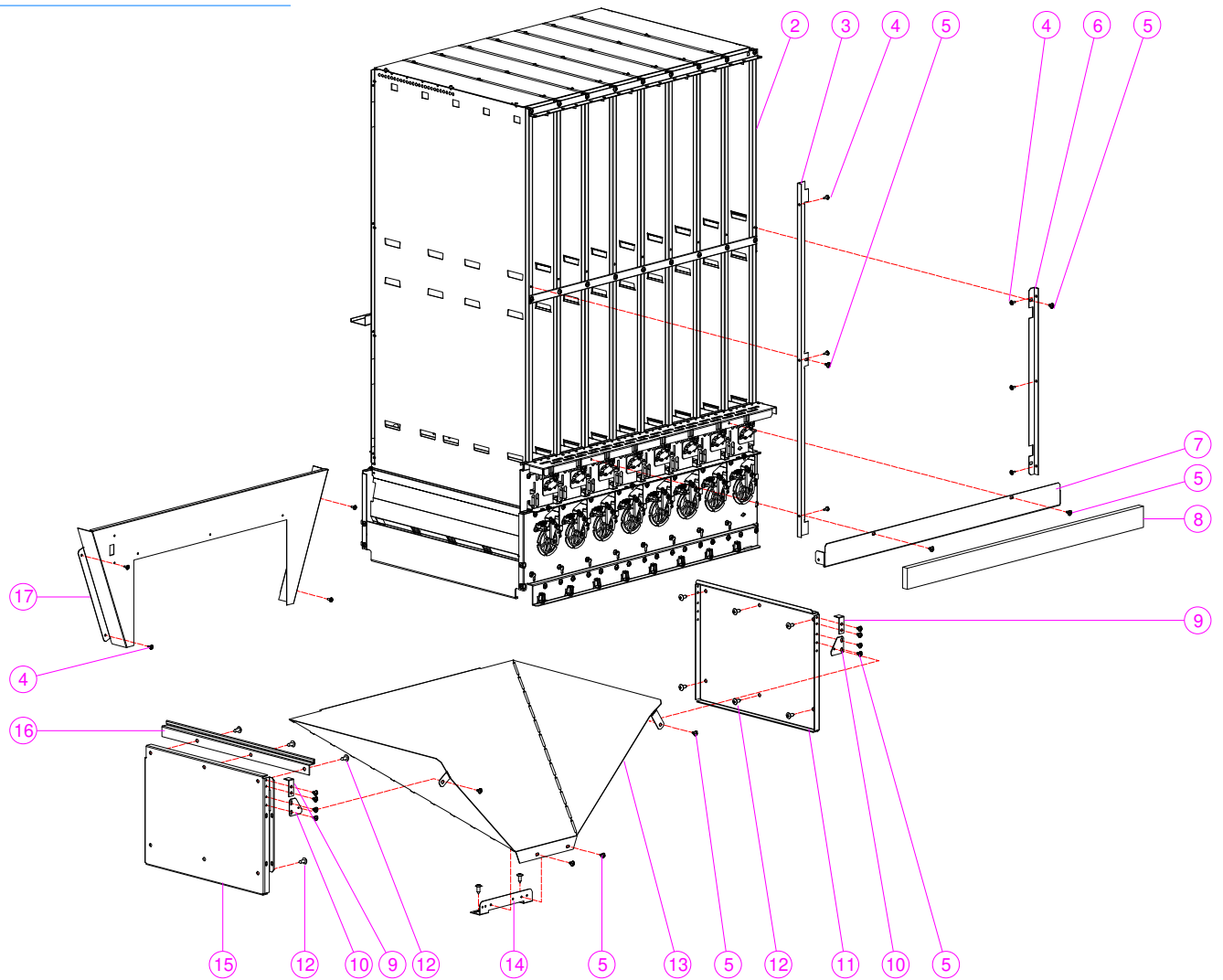


Pos	Code	Description	Serial Number Nota
12	381603/5	SCREW TSP+ 2,9X9,5	
13	403406	SOCKET IEC 16A RS 295-8737	
14	V801039	WASHER D.E. 4X8	
15	381644	BRASS NUT M4	
16	415775	TRANSFORMER BOX	
17	408912	FILTER SCHAFFNER FN2060-6-06	
18	V800569	SCREW TC+ 4,8x6,5	
19	413925	POWER SWITCHING LRS-150F-24	
20	145575	POWER BOX HARNESS B&C TW	Only with P/N 145501
20	145500	POWER BOX HARNESS B&C 2020	Only with P/N 145501/1
21	413311	CLIP	
22	393321	INSULATING COIN RETURN MOTOR	
23	141758/8	HC - R290 / CONTROL UNIT ASSY HYDROCARBON	Only with P/N 145501
23	141478/16	ELECTR. CONTROL UNIT GSF TW	Only with P/N 145501/1
24	395158	FUSE CARRIER	
25	386916/14	FUSE 5X20 16A 250V	Only with P/N 145501
25	386916/8	FUSE 5 X 20 10A	Only with P/N 145501/1
26	393892	F10A 250V DECAL	Only with P/N 145501
26	393892/9	DECAL F16A (T-R)	Only with P/N 145501/1
27	392627	LIGHT SWITCH	
28	V801441	SCREW T1/2T 3,5X6,5	

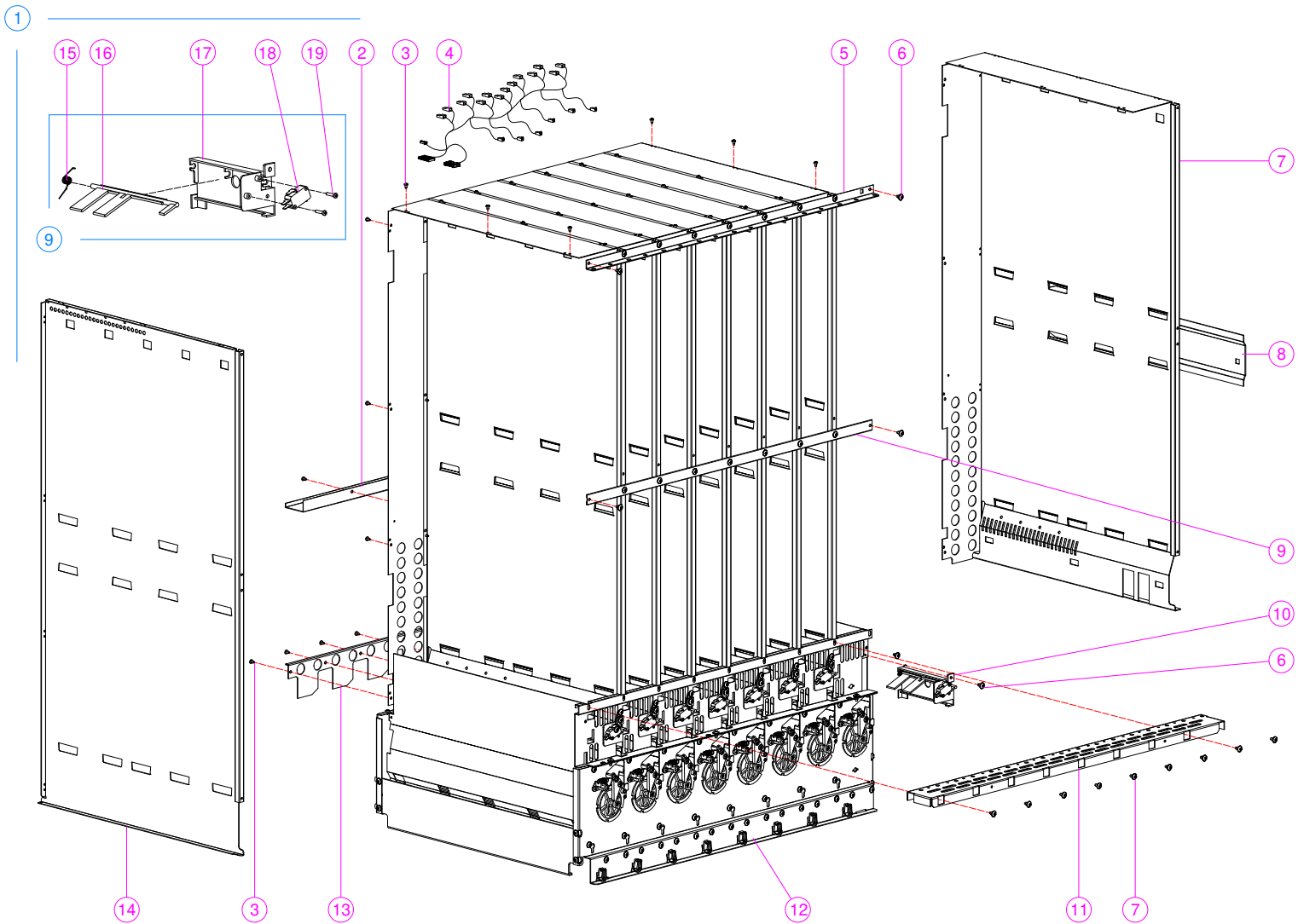


Pos	Code	Description	Serial Number Nota
29	400625	DECAL POWER SWITCH	
30	391152	HIGH VOLTAGE LABEL	Only with P/N 145501
30	391152/1	110V HIGH VOLTAGE LABEL	Only with P/N 145501/1

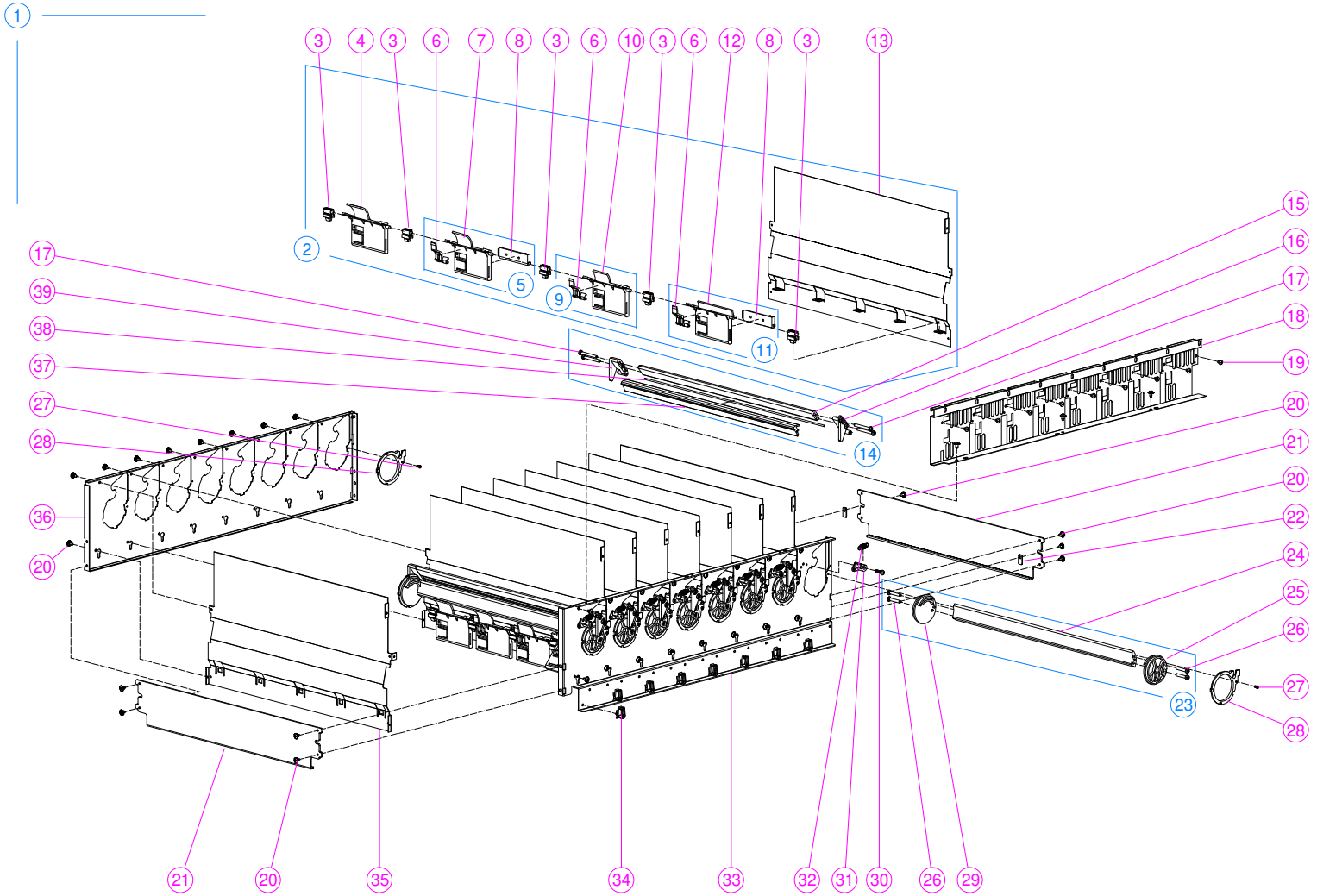
1



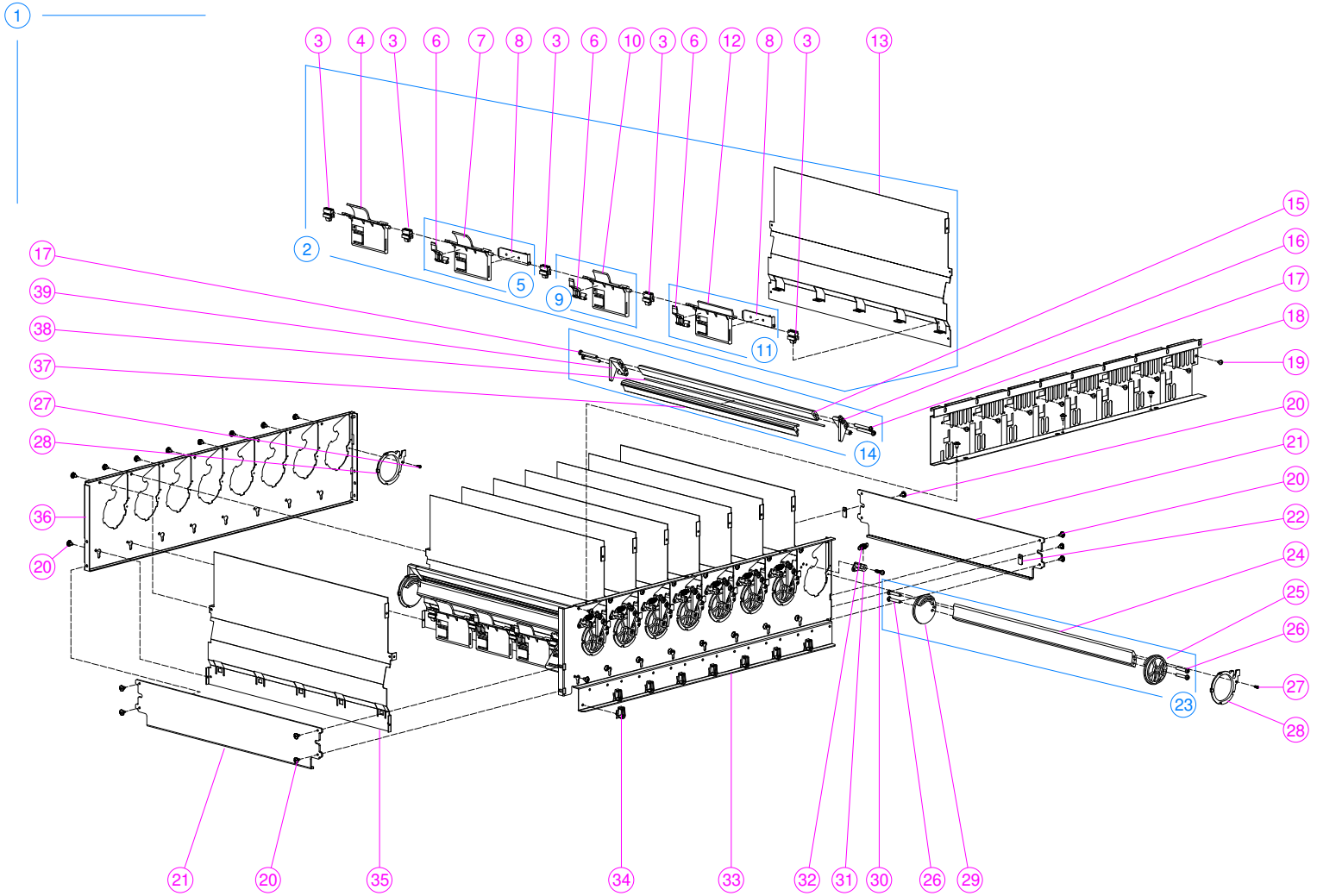
Pos	Code	Description	Serial Number Nota
1	142343/1	MECHANISM INST. ASSY MEDIUM	
2	142341/1	MEDIUM MECHANISM ASSY	
3	414488	AIR TRANSFER COVER LH	
4	390139	SCREW TTFR+ 4,2X13	
5	V800570	SCREW T1+4,8X9,5 S.POINT	
6	414487	SIDE MECHANISM STOP	
7	414362	COUNTERDOOR STANDSTILL MEDIUM	
8	411637/3	INSULATOR PANEL MEDIUM	
9	396111	BOTTOM MECHANISM STOPPING	
10	415587	CHUTE SUPPORT LH-RH	
11	395974	MECHANISM SUPPORT RH - LH	
12	V800876	SCREW T1/2T+ 6,3X19	
13	415772	PRODUCTS CHUTE MEDIUM	
14	400612	CHUTE SUPPORT	
15	398243	LH MECHANISM SUPPORT	
16	400190	MECHANISM STOPPING	
17	415771	MEDIUM AIR CONVEYOR	



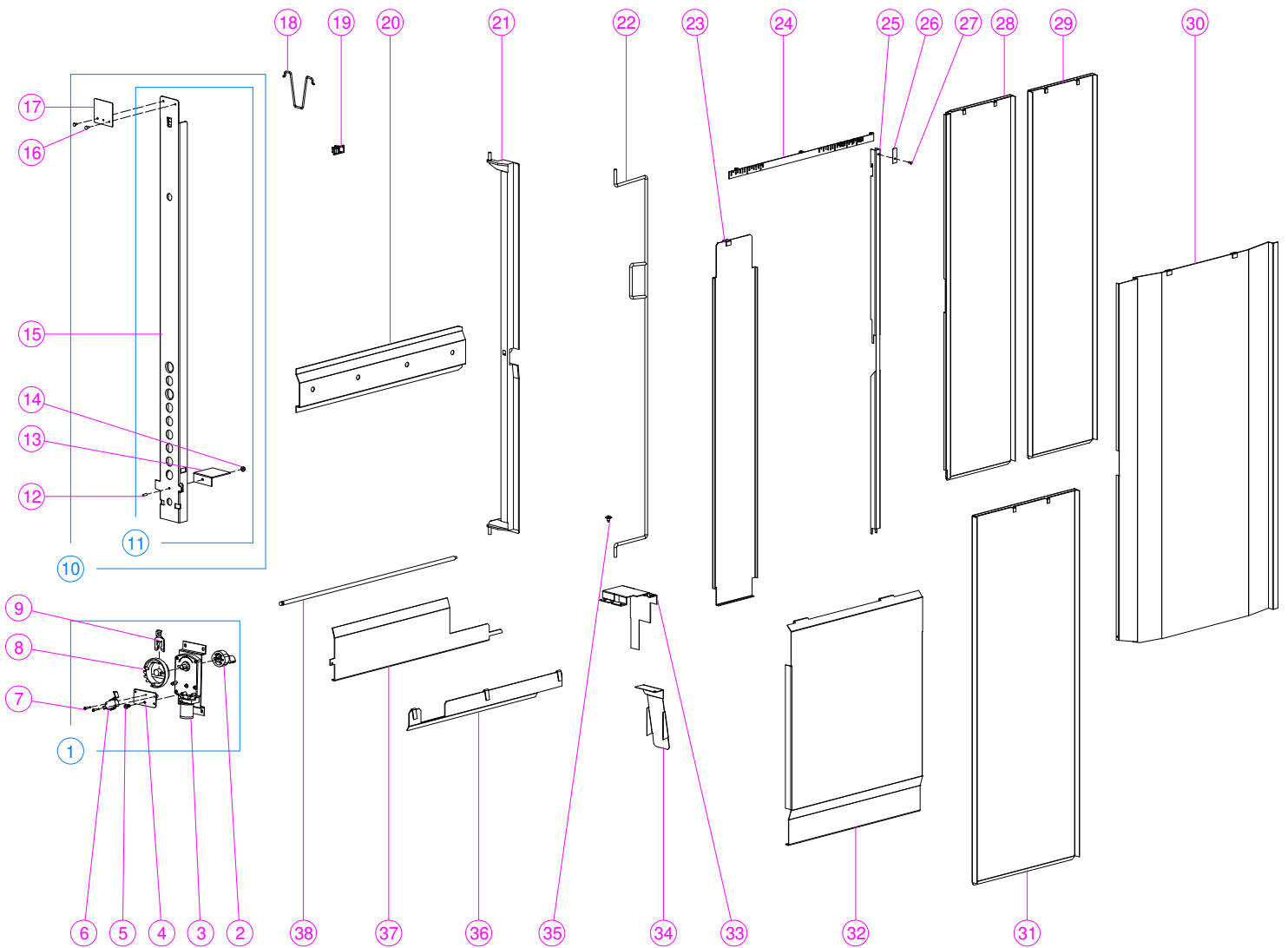
Pos	Code	Description	Serial Number Nota
1	142341/1	MEDIUM MECHANISM ASSY	Included in the assembly P/N 142343/1
2	397233	AIR DEFLECTOR	
3	V801441	SCREW T1/2T 3,5X6,5	
4	145150	DOOR/MECH.HARNESS NL2019.8	
5	397231	FRONT-UP STACK SUPPORT TOP	
6	V800570	SCREW T1+4,8X9,5 S.POINT	
7	395451	STACK RH	
8	397028	STACK REINFORCE RH	
9	397234	FRONT-UP STACK SUPPORT MIDDLE	
10	136651	SOLD OUT ASSY	
11	414363	8 COLUMN GATES SUPPORT	
12		Delivery Product Mechanism	Pag. 21 - 22
13	397793/1	REAR PLATE	
14	395639	LEFT STACK	
15	395829	SOLD OUT SPRING	
16	395653	SOLD OUT LEVER	
17	395654	SOLD OUT HOUSE	
18	391608/1	MICRO SWITCH 100GR	
19	381603/3	SCREW TC+2,9X16	



Pos	Code	Description	Serial Number Nota
1	142338/1	MECHANISM NARROW STACK 4D 8 COL ASSY	Included in the assembly P/N 142341/1
2	137826	RH DIVISOR ASSY	
2	137827	CENTRAL DIVISOR ASSY	
3	395781	SHELF CLIP	
4	397812	FLAP N°4 (WHITE)	
5	137229/1	FLAP N°3 ASSY (ORANGE)	
6	400238	ANTI-THEFT CANS	
7	397811	SHELF N.3	
8	397577	SHELF LOCKING KEY	
9	138295	FLAP N°2 ASSY (BLACK)	
10	397810	SHELF N.2	
11	137228	FLAP N°1 ASSY (GREEN)	
12	397809	SHELF N.1	
13	395636	RIGHT DIVISOR	Only with P/N 137826
13	395444	CENTRAL DIVISOR	Only with P/N 137827
14	136650	GATE ASSY	
15	395351	GATE BAR 13085 - 499mm	
16	395551	FRONT GATE LEVER	
17	381290/4	SCREW TAPETITE TC+ 5MAX45	
18	414479	SOLD OUT SUPPORT 8 COL.	
19	V800569	SCREW TC+ 4,8x6,5	

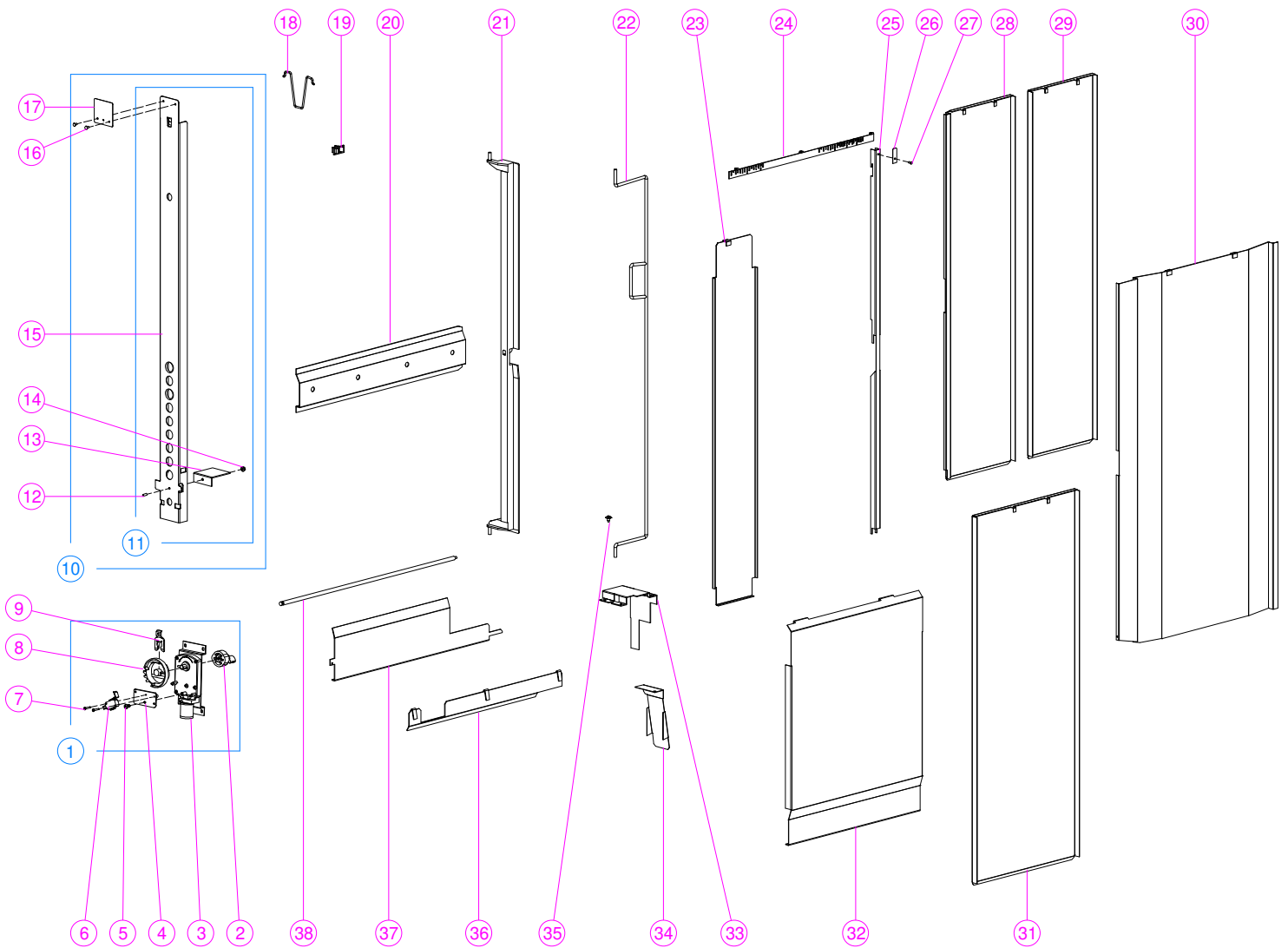


Pos	Code	Description	Serial Number Nota
20	V800570	SCREW T1+4,8X9,5 S.POINT	
21	395445	MECHANISM SIDE	
22	399169	RH DIVIDER SPACER	
23	136649	BUCKET	
24	395521	BUCKET BAR 13084 - 513mm	
25	395375	FRONT CAM	
26	381290/5	SCREW TAPETITE TC+ 5MAX30	
27	381603/1	SCREW TC+ 2,9X9,5	
28	395413	COMPASS	
29	395522	REAR CAM	
30	392337	SCREW TC+ 4,8X22	
31	395446	MOTOR SUPPORT	
32	395450	SPRING	
33	414477	MECHANISM FRONT 8 COL.	
34	398461	CLAMP	
35	395637	LEFT DIVISOR	
36	414478	MECHANISM BACK 8 COL.	
37	395578	PRODUCT CONVEYOR	
38	386662/7	ROD	
39	395550	REAR GATE LEVER	

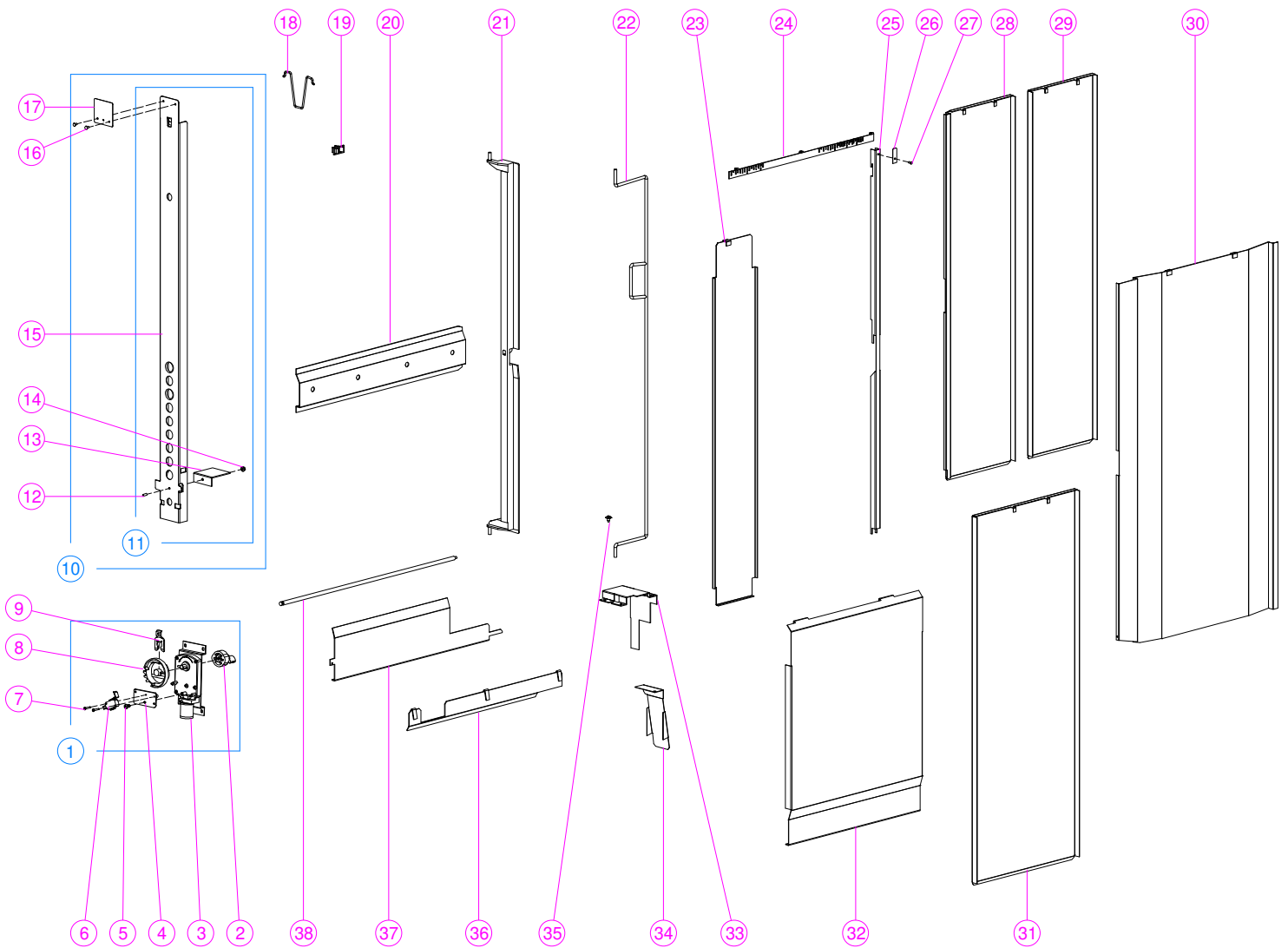


Pos	Code	Description	Serial Number Nota
1	136717/2	VEND MOTOR ASSY4D WITH BLACK CAM	
1	136717/3	VEND MOTOR ASSY 3D WITH WHITE CAM	
2	395352	JOINT	
3	396006/2	MOTOR MK 1A 24VDC 6,8 RPM	
4	398844	PARTION PLATE	
5	V800566	TAPPING SCREW	
6	388687/1	SWITCH	
7	381603/8	SCREW TC + 2,9X19	
8	395576	CAM SWITCH 2D-4D BLACK	Only with P/N 136717/2
8	395576/1	CAM SWITCH 3D WHITE	Only with P/N 136717/3
9	395577	RETAINER CAM	
10	139146	BAFFLE WITH EXTENSION AND SPACER 87mm ASSEMBLY	
10	139146/1	BAFFLE WITH EXTENSION AND SPACER 57mm ASSEMBLY	
10	139146/2	BAFFLE WITH EXTENSION AND SPACER 77mm ASSEMBLY	
10	139146/3	BAFFLE WITH EXTENSION AND SPACER 47mm ASSEMBLY	
10	139146/4	BAFFLE WITH EXTENSION AND SPACER 37mm ASSEMBLY	
10	139146/5	BAFFLE WITH EXTENSION AND SPACER 107mm ASSEMBLY	
10	139146/6	BAFFLE WITH EXTENSION AND SPACER 97mm ASSEMBLY	
10	139146/9	BAFFLE WITH EXTENSION AND SPACER 157mm ASSEMBLY	
10	139146/10	BAFFLE WITH EXTENSION AND SPACER 147mm ASSEMBLY	
10	139146/11	BAFFLE WITH EXTENSION AND SPACER 127mm ASSEMBLY	

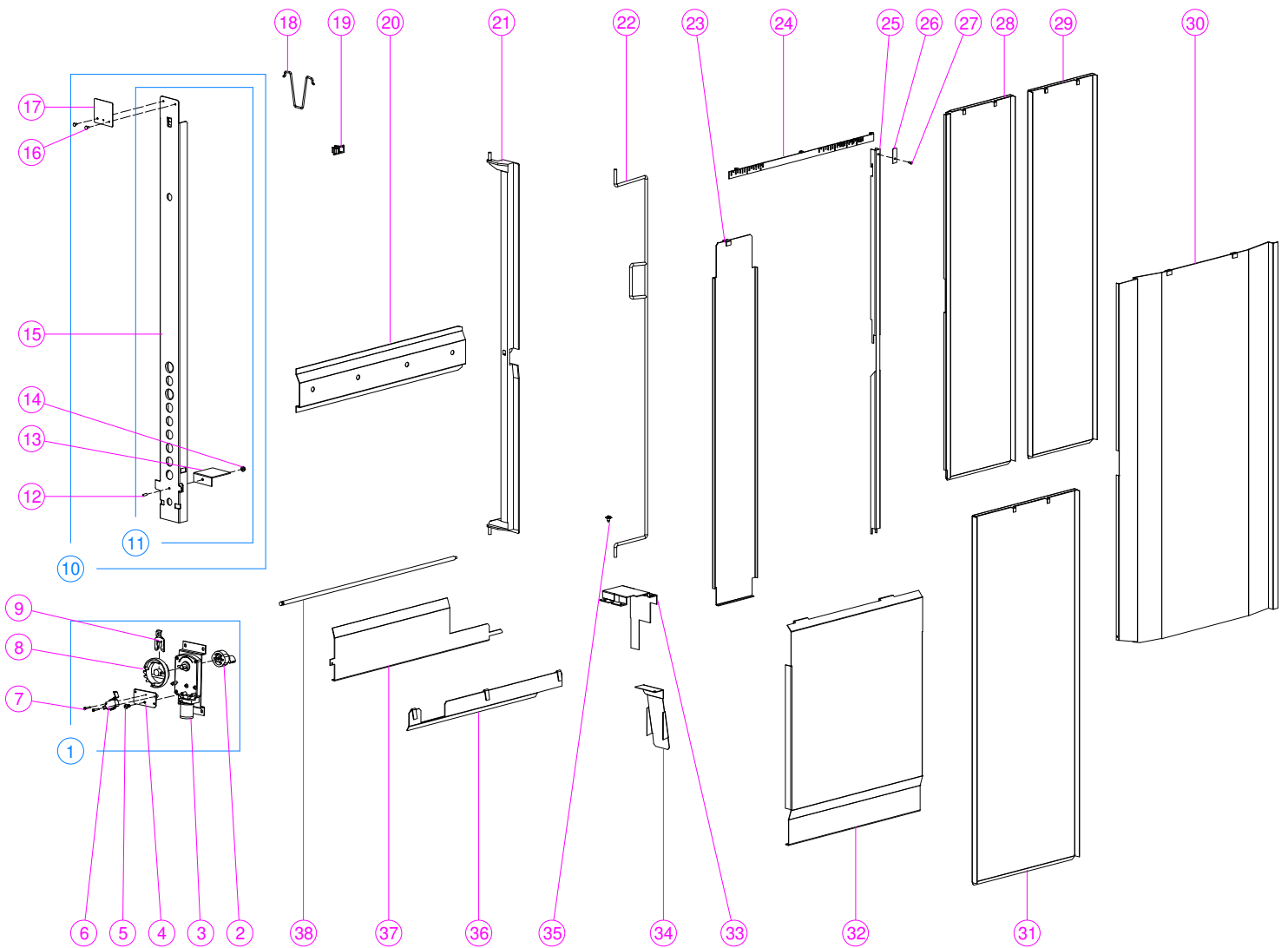




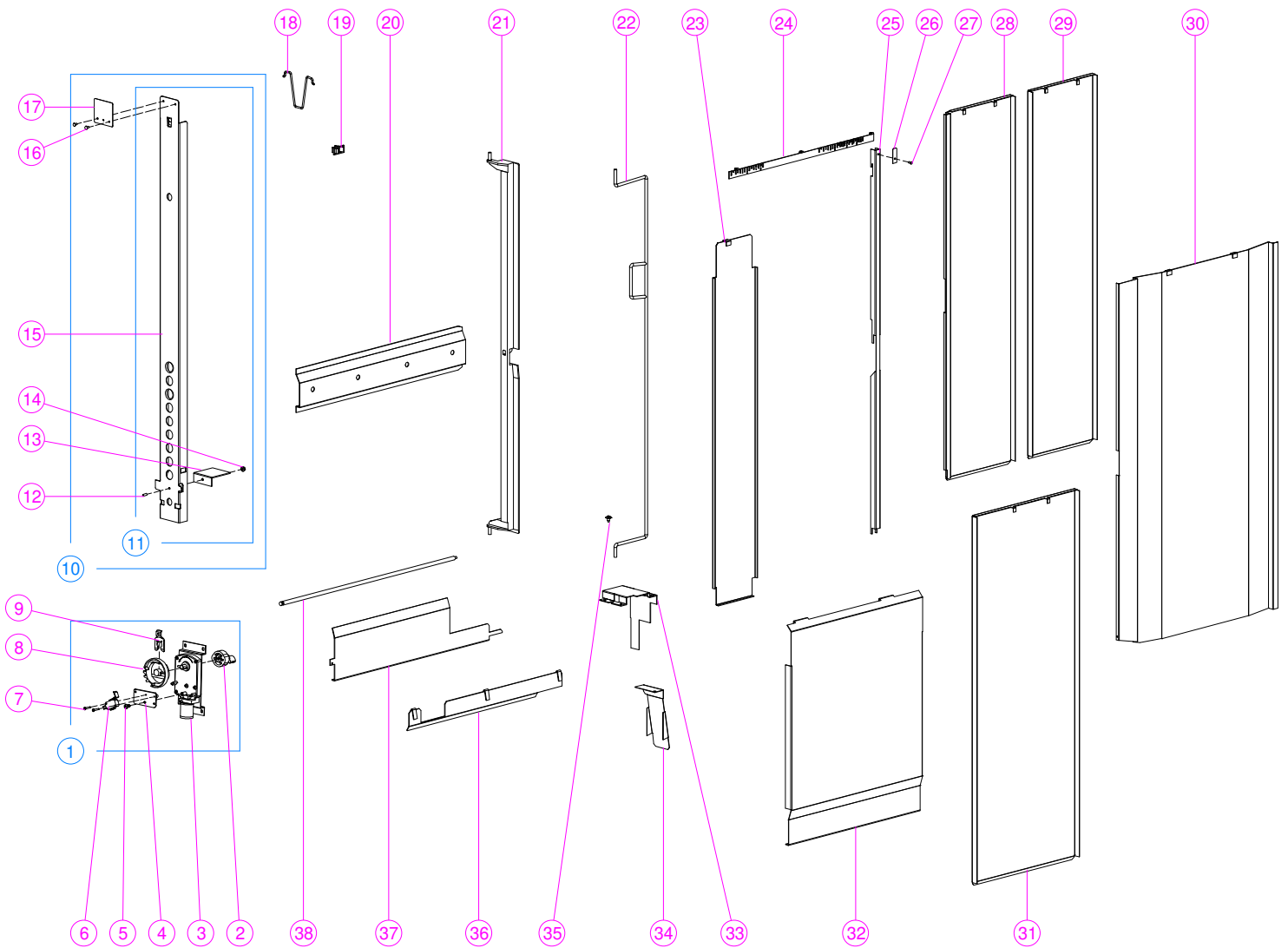
Pos	Code	Description	Serial Number Nota
10	139146/12	BAFFLE WITH EXTENSION AND SPACER 137mm ASSEMBLY	
10	139146/13	ONLY BAFFLE WITH EXTENSION ASSEMBLY	
10	139146/14	BAFFLE WITH EXTENSION AND SPACER 67mm ASSEMBLY	
11	137410	BAFFLE WITH SPACER 87mm ASSEMBLY	
11	137410/1	BAFFLE WITH SPACER 57mm ASSEMBLY	
11	137410/2	BAFFLE WITH SPACER 77mm ASSEMBLY	
11	137410/3	BAFFLE WITH SPACER 47mm ASSEMBLY	
11	137410/4	BAFFLE WITH SPACER 37mm ASSEMBLY	
11	137410/5	BAFFLE WITH SPACER 107mm ASSEMBLY	
11	137410/6	BAFFLE WITH SPACER 97mm ASSEMBLY	
11	137410/9	BAFFLE WITH SPACER 157mm ASSEMBLY	
11	137410/10	BAFFLE WITH SPACER 147mm ASSEMBLY	
11	137410/11	BAFFLE WITH SPACER 127mm ASSEMBLY	
11	137410/12	BAFFLE WITH SPACER 137mm ASSEMBLY	
11	137410/13	BAFFLE WITH SPACER 67mm ASSEMBLY	
11	137410/14	BAFFLE WITH SPACER 117mm ASSEMBLY	
11	140395	SPORT BAFFLE WITH SPACER 147mm ASSEMBLY	
12	386368	SELF HOOKING STUD PFH 4MAX10	
13	398194	BAFFLE SPACER 87mm	Only with P/N 139146 and P/N 137410
13	398194/1	BAFFLE SPACER 57mm	Only with P/N 139146/1 and P/N 137410/1
13	398194/2	BAFFLE SPACER 77mm	Only with P/N 139146/2 and P/N 137410/2



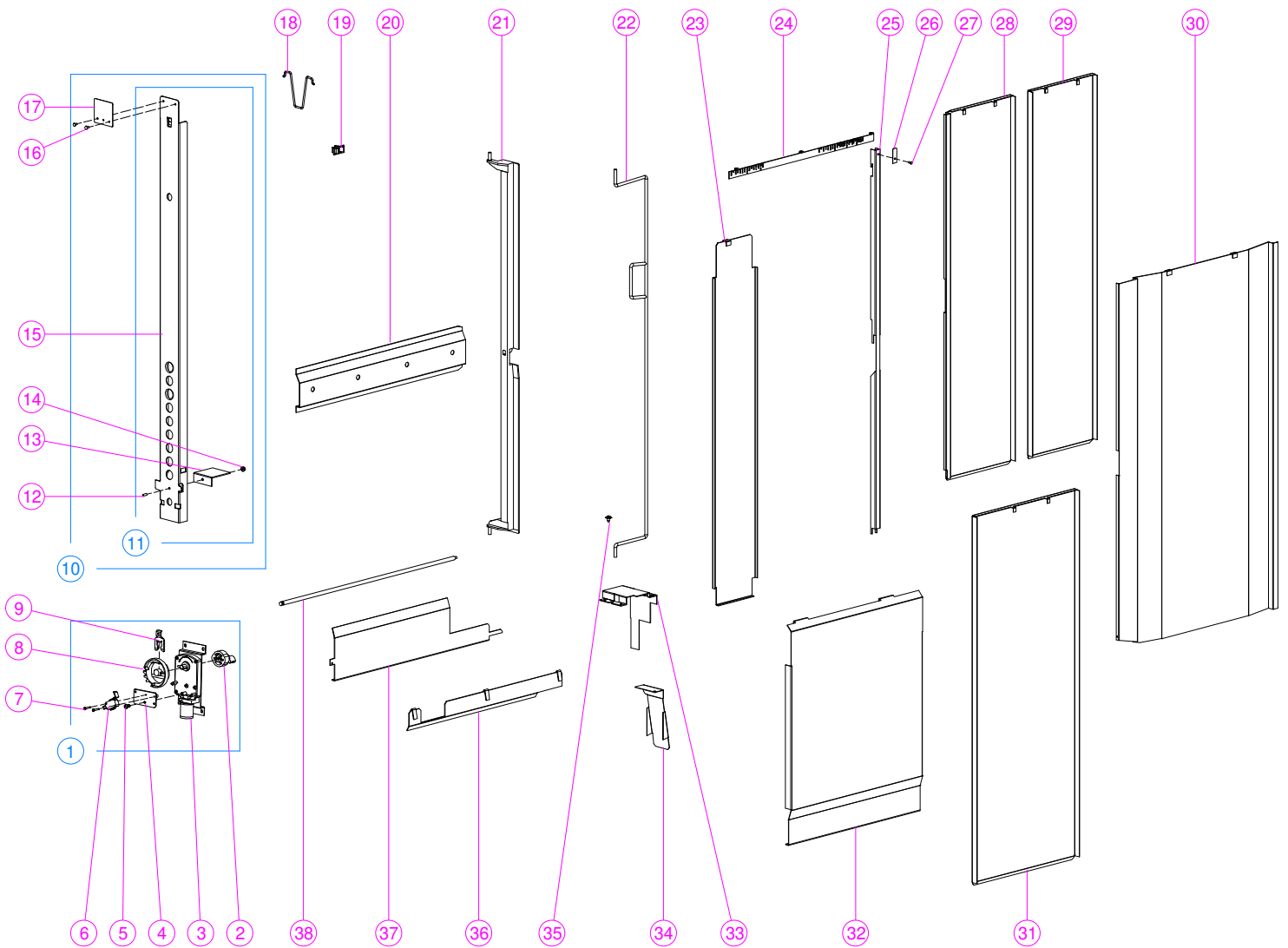
Pos	Code	Description	Serial Number Nota
13	398194/3	BAFFLE SPACER 47mm	Only with P/N 139146/3 and P/N 137410/3
13	398194/4	BAFFLE SPACER 37mm	Only with P/N 139146/4 and P/N 137410/4
13	398194/5	BAFFLE SPACER 107mm	Only with P/N 139146/5 and P/N 137410/5
13	398194/6	BAFFLE SPACER 97mm	Only with P/N 139146/6 and P/N 137410/6
13	398194/9	BAFFLE SPACER 157mm	Only with P/N 139146/9 and P/N 137410/9
13	398194/10	BAFFLE SPACER 147mm	Only with P/N 139146/10 , P/N 137410/10 and P/N 140395
13	398194/11	BAFFLE SPACER 127mm	Only with P/N 139146/11 and P/N 137410/11
13	398194/13	BAFFLE SPACER 137mm	Only with P/N 139146/12 and P/N 137410/12
13	398194/14	BAFFLE SPACER 67mm	Only with P/N 139146/14 and P/N 137410/13
13	398194/15	BAFFLE SPACER 117mm	Only with P/N 137410/14
14	398224/1	NUT, FLANGED 4MA MILLED	
15	396828/1	BAFFLE	
15	405933/1	BAFFLE SPORT	Only with P/N 140395
15	399008	BAFFLE SLIM	Not included in the assembly
16	333097/3	RIVET 3,2X7	
17	402420	BAFFLE TOP EXTENSION	
18	396711	BAFFLE RETAINER SPRING	
19	402242	STACK HOLE PLUG	
20	398228	STACK REINFORCE	
20	400164	SPA STACK REINFORCE	
20	397028	STACK REINFORCE RH	



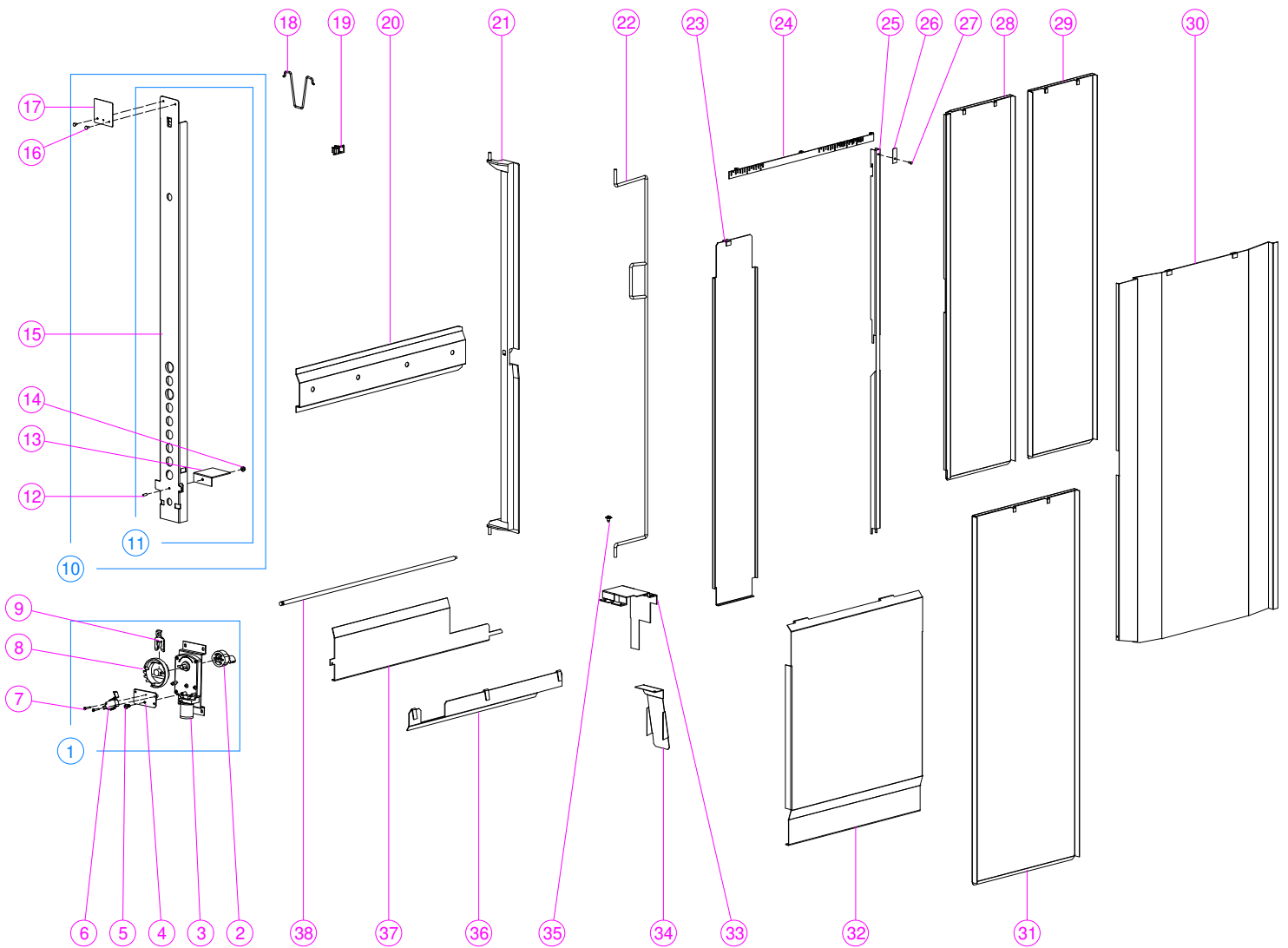
Pos	Code	Description	Serial Number Nota
20	396085	STACK REINFORCE	
20	400735	MEDIUM STACK REINFORCE	
21	400845	FRONT GATE STACK	
22	397077	CANS 25 FRONT GATE STACK	
23	410319	SPACER	
23	410319/1	SPACER	
24	400165	SPA SPACERS SUPPORT	
25	397714	COLUMN SPACER	
26	402508	COLUMN SPACER UPPER EXTENSION	
27	402738	RIVET 3X7	
28	398196	RED BULL FRONT SPACER	Rear P/N 398197
28	137289	0.25 FRONT SPACER WELD ASSY	Rear P/N 137290
28	405140	COLUMN SPACER	Rear P/N 405141
28	405107	COLUMN SPACER	Rear P/N 405108
28	398327	0.2 PAGO BOTTLE REAR SPACER	Rear P/N 398328
28	402855	FRONT COLUMN SPACER	Rear P/N 402856
28	401314	RH FRONT SPACER	Rear P/N 401315
28	400038	BOTTOM FRONT SPACER	Rear P/N 400039
28	399853	H/C FRONT SPACER	Rear P/N 399854
28	404918	CAN FRONT SPACER	Rear P/N 404919
29	401315	RH REAR SPACER	Front P/N 401314



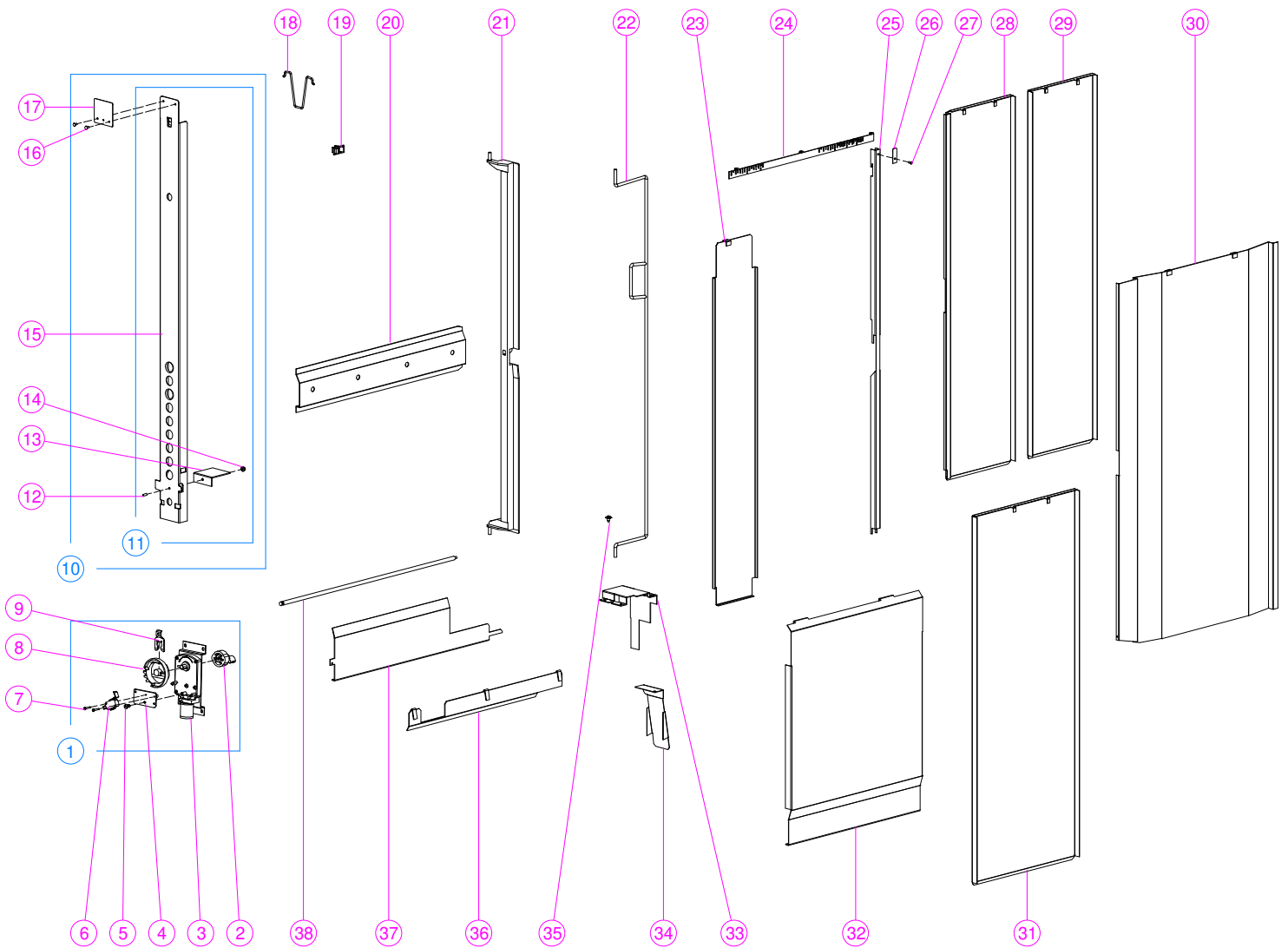
Pos	Code	Description	Serial Number Nota
29	402856	REAR COLUMN SPACER	Front P/N 402855
29	404919	CAN REAR SPACER	Front P/N 404918
29	405108	ASPTIC REAR SPACER	Front P/N 405107
29	405141	REAR COLUMN SPACER	Front P/N 405140
29	398328	0.2 PAGO BOTTLE REAR SPACER	Front P/N 398327
29	399854	H/C REAR SPACER	Front P/N 399853
29	400039	BOTTOM REAR SPACER	Front P/N 400038
29	398197	RED BULL REAR SPACER	Front P/N 398196
29	137290	0.25 REAR SPACER WELD ASSY	Front P/N 137289
30	406791	APOLLINARIS COLUMN SPACER	
30	404830	585 ROM COLUMN SPACER	
30	137539	0.2 SPACER WELD ASSY	
30	397940	COLUMN SPACER	
30	411313	OLYMPIC COLUM SPACER	
31	406853	REAR SPACER	
31	403869	MM COLUMN SPACER	
31	407599	FRONT COLUMN SPACER	
31	411510	RH COLUMN SPACER	
31	400137	COLUMN SPACER	
31	401990	N.S. COLUMN SPACER	
31	406785	RH COLUMN SPACER	



Pos	Code	Description	Serial Number Nota
31	404831	ZAZZAA COLUMN SPACER	
31	401719	TIAN COLUMN SPACER	
31	400070	N.S. 3D COLUMN SPACER	
31	408588	RH COLUMN SPACER	
31	405157	CC INDIA COLUMN SPACER	
32	399329	BOTTLE COLUMN SPACER	
32	397864	VOLVIC BOTTLE SPACER	
32	398491	0.33 VOLVIC BOTTLE SPACER	
32	400042	RH UPPER SPACER	
32	403074	GREECE BOTTLE SPACER	
32	411342	LONDON OLYMPIC UPPER SPACER	
33	398726	FRONT GATE STACK RETAINER BOTTLE VOLVIC	
33	408480	FRONT GATE STACK RETAINER 0.15 CAN	
33	396654	FRONT GATE STACK RETAINER	
34	406383	FRONT BOTTOM DEFLECTOR	
35	V800570	SCREW T1+4,8X9,5 S.POINT	
36	404887	ROM. 4D CAN DEFLECTOR	
36	400099	SHORT CAN 4D DEFLECTOR	
36	403173	SPRAY DEFLECTOR	
36	405176	4D CAN CLOSE DEFLECTOR	
36	397787	BOTTLE DEFLECTOR	

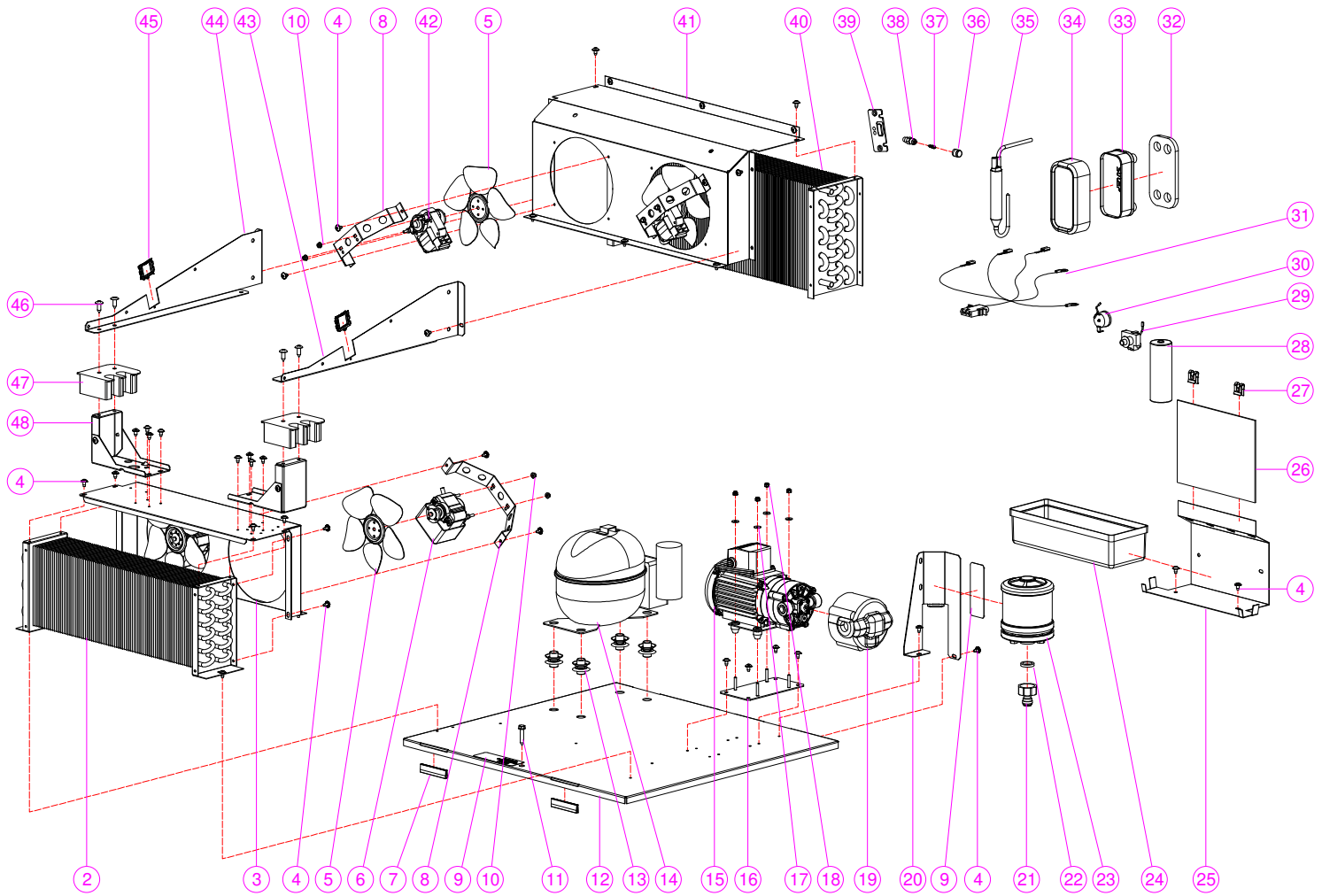


Pos	Code	Description	Serial Number Nota
36	400060	DEFLECTOR	
37	401316	LH BOTTOM SPACER	
37	401342	LH BOTTOM SPACER	
37	401706	TIAN BOTTOM SPACER	
37	402002	RH BOTTOM SPACER	
37	402006	LH BOTTOM SPACER	
37	402849	LH BOTTOM SPACER	
37	403172	MAFRA BOTTOM SPACER	
37	398195	LH 0.25 CAN SPACER	
37	404601	ZAZZAA BOTTOM SPACER	
37	404222	LH BOTTOM SPACER	
37	404153	LH BOTTOM SPACER	
37	403534	LH BOTTOM SPACER	
37	403517	LH BOTTOM SPACER	
37	401268	LH BOTTOM SPACER	
37	402968	LH BOTTOM SPACER	
37	400104	SHORT LH BOTTOM SPACER	
37	397712	BOTTOM SPACER	
37	397977	LH BOTTOM SPACER	
37	405920	LH BOTTOM SPACER	
37	398060	1.5mm SPACER	



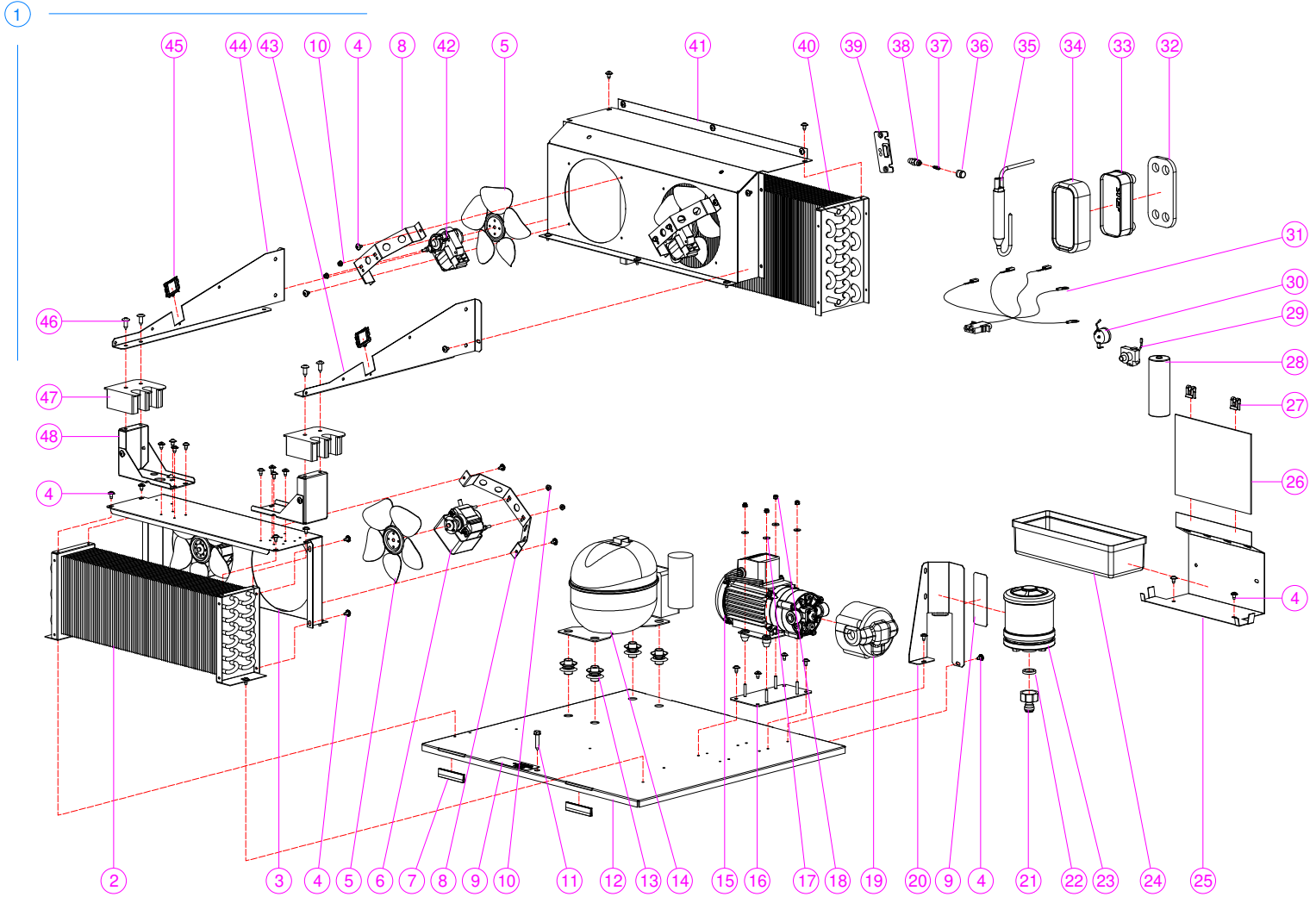
Pos	Code	Description	Serial Number Nota
37	400100	LH SHORT SPACER	
37	405928	LH BOTTOM SPACER	
37	400608	LH BOTTOM SPACER	
37	400126	SMALL BOTTOM SPACER	
37	400136	STD BOTTOM SPACER	
37	400163	SPA BOTTOM SPACER	
37	400174	LH BOTTOM SPACER	
37	400357	MEDIUM BOTTOM SPACER	
37	400523	HC LH BOTTOM SPACER	
37	400061	SPACER	
38	392517/2	SHAFT	

1



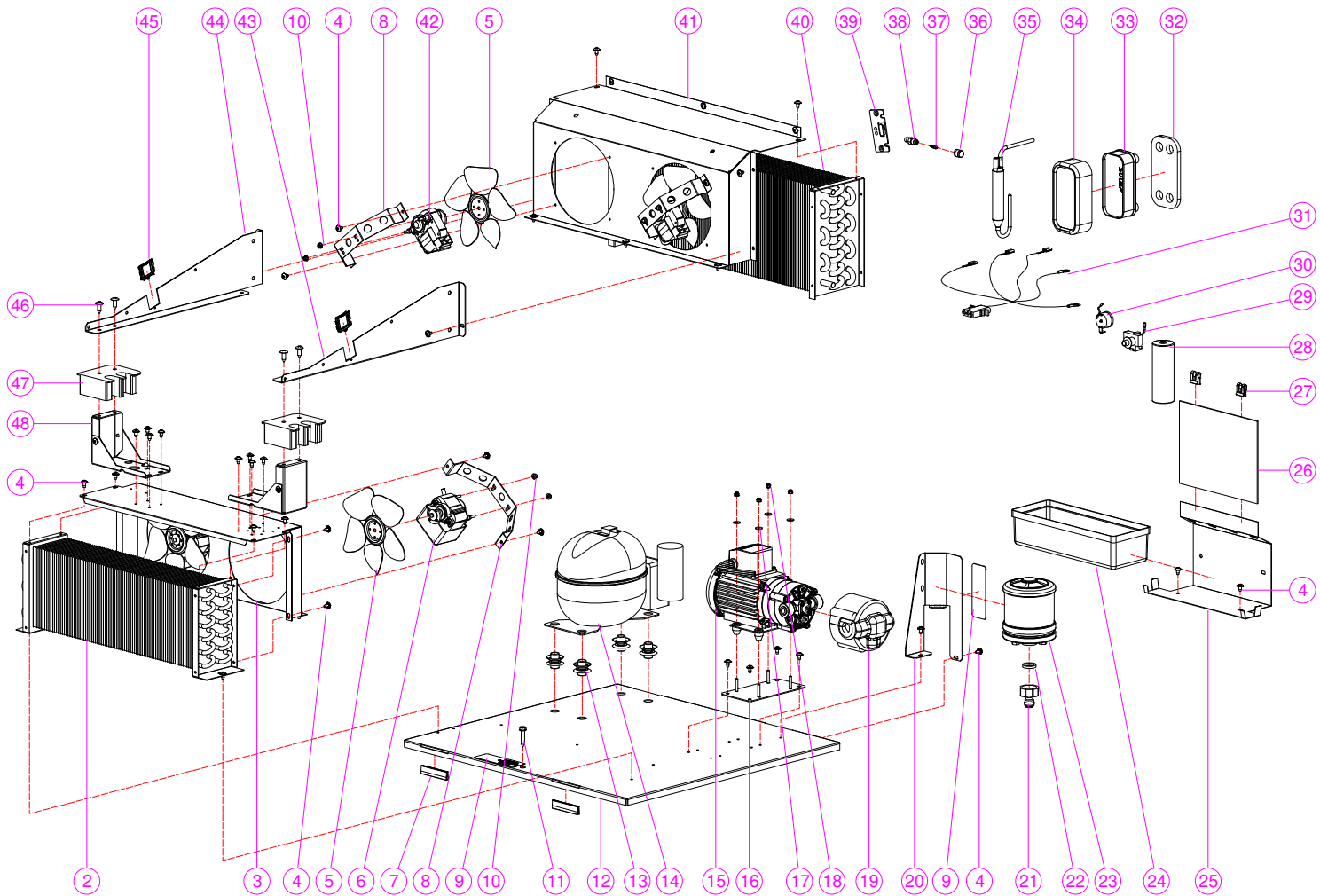
Pos	Code	Description	Serial Number Nota
1	145271	REFR. SYSTEM ASSY B&C 4D	
2	414329	CONDENSER	
3	414333	CONDENSER AIR CONVEYOR	
4	V800570	SCREW T1+4,8X9,5 S.POINT	
5	391591/3	SUCTION ALUMINIUM FAN BLADE	
6	414299/1	FAN MOTOR 230V P.30-1 3C 39W ATEX	
7	386430/24	U WHITE PROFILE MM.65	
8	391523/2	MOTOR FAN BRACKET	
9	414841	RISK OF FIRE LABEL R290	
10	398224/1	NUT, FLANGED 4MA MILLED	
11	386718	SCREW 6,3x32	
12	415287	HYDROCARBON REFR. SYST. ASSY 4D	
13	393885	SHOCK ABSORBER COMPRESSOR	
14	415393	COMPRESSOR EMX6210U 220/240V	
15	144837	HC - R290 / WIRED PUMP 230V	
16	145576	PUMP HC PLATE RIV. ASSY	
17	381240	FLAT WASHER 4X12X1	
18	390058/1	SELF STOPPING NUT 4MA HIGH	
19	414604	HC - R290 / PUMP INSULATION	
20	414983	EXPANSION VALVE SUPPORT	
21	407133	TERMINAL 8MMx3/4	



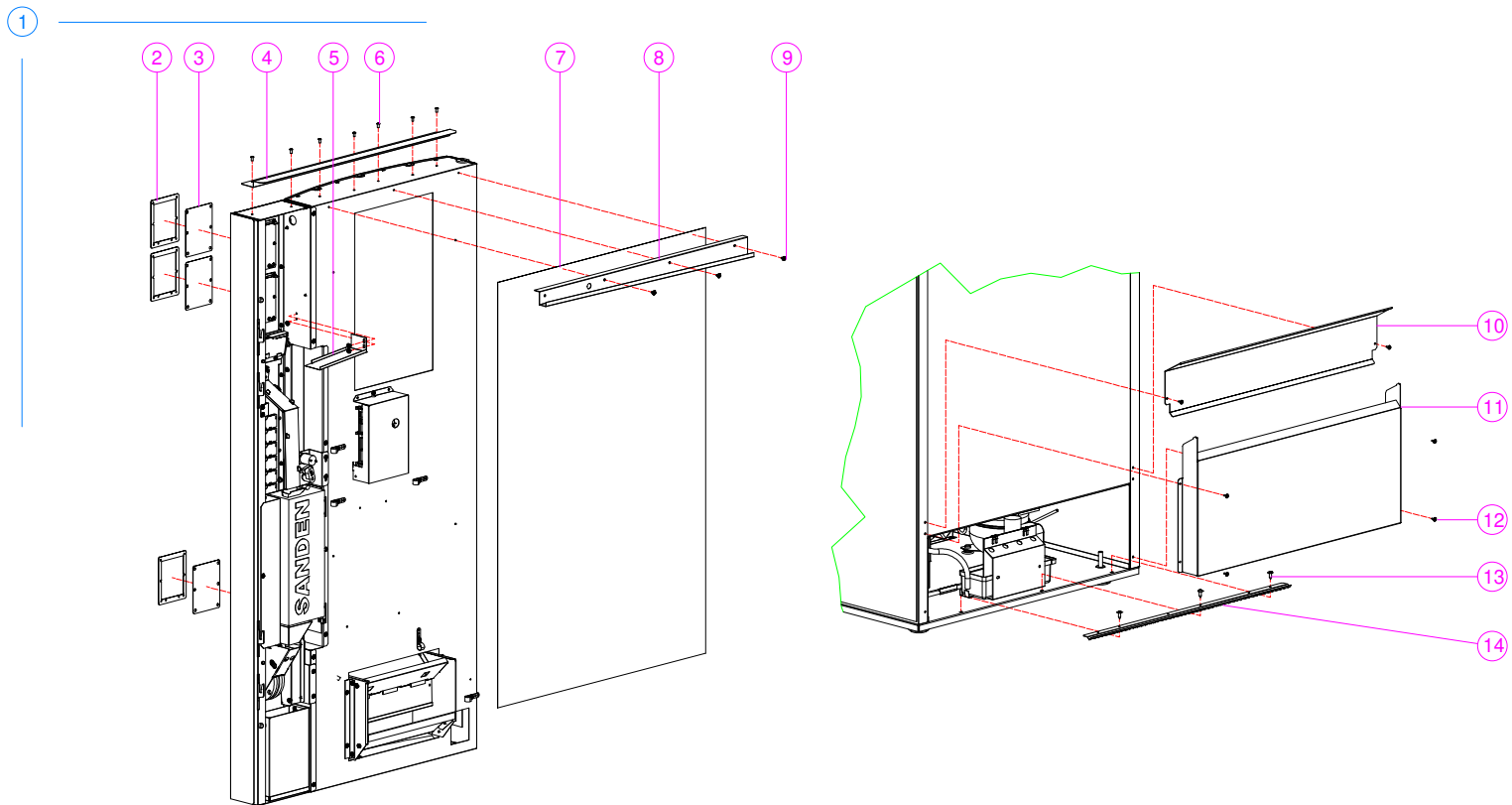


Pos	Code	Description	Serial Number Nota
22	414881	GASKET	
23	414326	HC - R290 / EXPANSION POT REFR. SYST. HYDROCARBON	
24	401457	CONDENSER BOX	
25	401731	ASSORBENT STRAP	
26	396817	ASSORBENT SPONGE	
27	400365	ASSORBENT CLIP	
28	416489	CONDENSER COMP.EMX6210U 220/240V	
29	416488	RELÈ COMPR. EMX6210U 220/240V	
30	416487	KLIXON COMPR. EMX6210U 220/240V	
31	144836	HC - R290 / COMPRESSOR HYDROCARBON HARNESS	
31	145498	WIRING PROBE B&C	
31	145503	HARNESS COMPR/MTR EVAPORAT.	
32	414606	HC - R290 / PLATE EVAPORATOR INSULATION COVER	
33	414330	HC - R290 / SWEP PLATE EXCHANGER	
34	414605	HC - R290 / PLATE EVAPORATOR INSULATION	
35	398854	FILTER GR. 25 6,2-6,2-6.2 X3R	
36	414625/2	HC - R290 / VALVE PLUG	
37	414625/1	HC - R290 / VALVE MECHANISM	
38	414625	HC - R290 / VALVE 8/10	
39	404450	PROBE SUPPORT	
40	395882	EVAPORATOR	

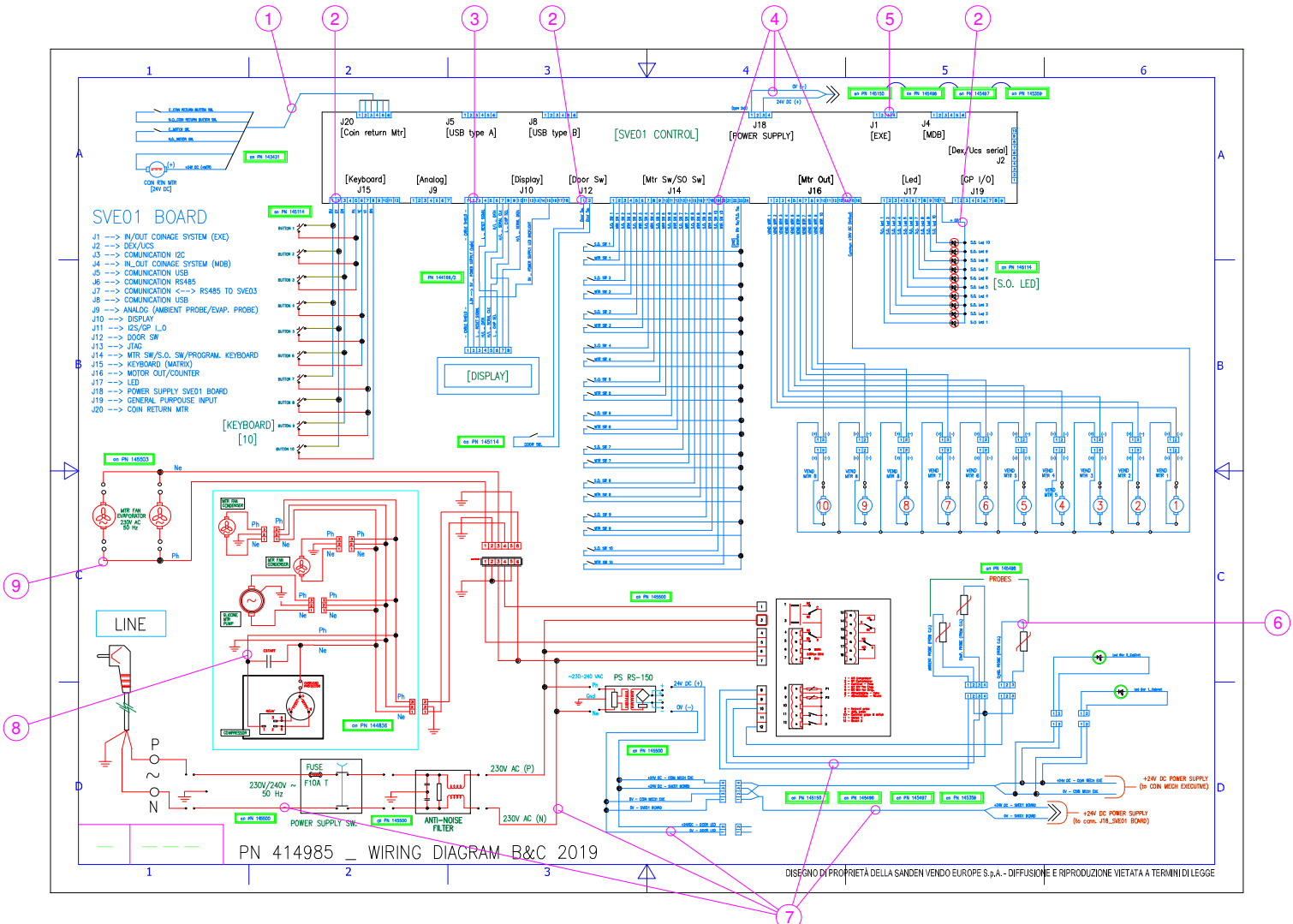
1



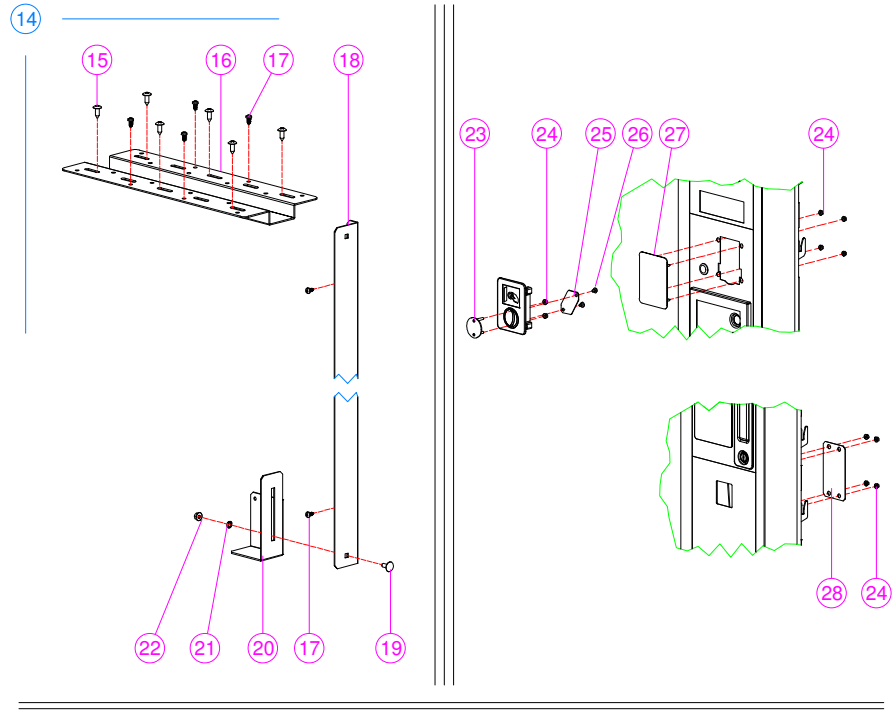
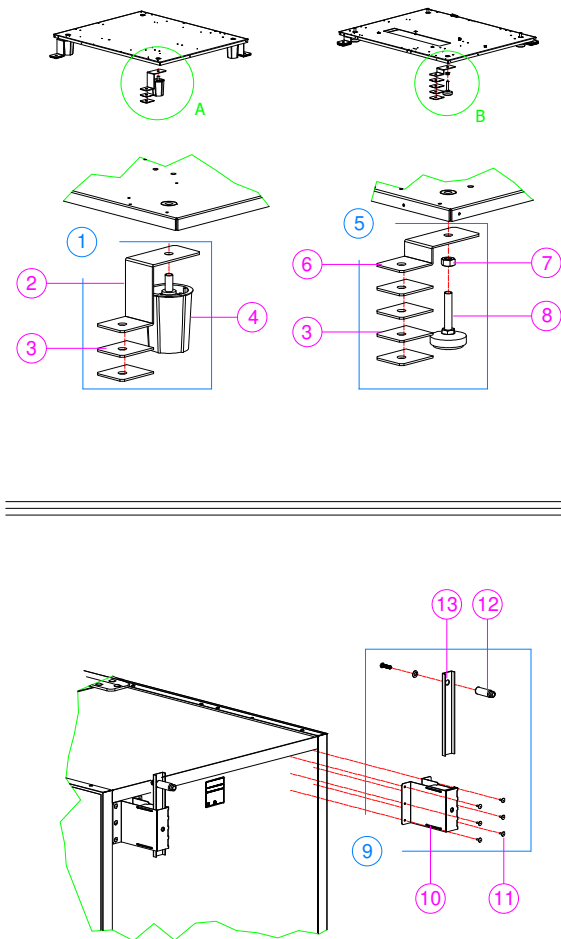
Pos	Code	Description	Serial Number Nota
41	395580	EVAPORATOR CONVEYOR	
42	391590/4	FAN MOTOR 220V C.20	
43	415209	EVAPORATOR SUPPORT RH	
44	415209/1	EVAPORATOR SUPPORT LH	
45	408977	CABLE FASTNER	
46	V800876	SCREW T1/2T+ 6,3X19	
47	405214/3	SILICON BUFFER	
48	415201	REFRIGERATION SYSTEM VERTICAL SUPPORT	



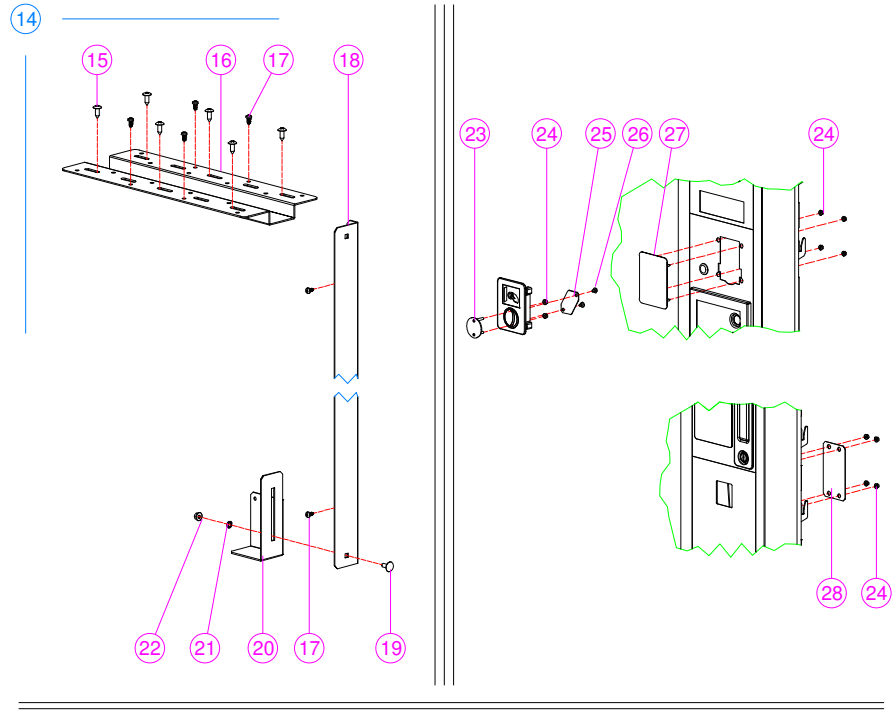
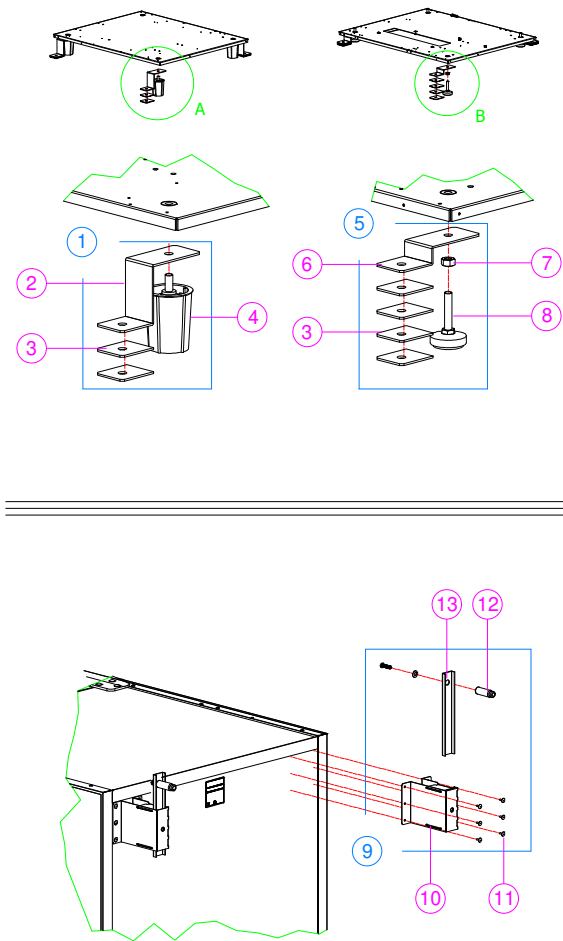
Pos	Code	Description	Serial Number Nota
1	145755/1	OS OUTDOOR KIT C48	
2	398689	INSULATION	
3	398029	HOLE REAR COVER	
4	416229/1	UPPER DOOR PROTECTION C48	0 - 3022009400
5	416328	DISPLAY COVER	
6	390559	POP RIVET BLACK 4,9X10	0 - 3022009400
7	393051/2	ANTI-RAIN NYLON 1200X800	
8	416223/1	DOOR CHANNEL C48	
9	V800570	SCREW T1+4,8X9,5 S.POINT	
10	416123/1	BACK CHANNEL COVER C48	
11	416115/1	BACK CHANNEL C48	
12	390139	SCREW TTFR+ 4,2X13	
13	V800876	SCREW T1/2T+ 6,3X19	
14	416207/1	DRAIN CHANNEL C48	



Pos	Code	Description	Serial Number Nota
1	143431	COIN RETURN MOTOR HARNESS	
2	145114	SELECTION/LED HARNESS NL2019	
3	144166/2	DISPLAY HARNESS	
4	145150	DOOR/MECH.HARNESS NL2019.8	
5	141427	HARNESS SUPPLY/EXECUTIVE COINAGE	
6	145498	WIRING PROBE B&C	
7	145500	POWER BOX HARNESS B&C 2020	
8	144836	HC - R290 / COMPRESSOR HYDROCARBON HARNESS	
9	145503	HARNESS COMPR/MTR EVAPORAT.	



Pos	Code	Description	Serial Number Nota
1	139218/1	KA KIT FASTEN TO FLOOR	
2	408028	FASTEN TO FLOOR BRKT	
3	407994	THICKNESS	
4	403897	LEVELLING SCREW M12 (BIG FOOT)	Not Included in the assembly
5	139218/2	K5 KIT FASTEN TO FLOOR	
6	415435	FASTEN TO FLOOR BRKT	
7	381511	EXAGONAL NUT 12MA 5588	
8	386804	LEVELLING SCREW	Not Included in the assembly
9	135078/1	OM KIT FIXING ON THE WALL	
10	130461/1	BRKT REAR WELD ASSY	
11	333097/2	POP RIVET	
12	391598	INSERT	
13	386460	BRKT FOR OUT DOOR	
14	143620	UD KIT FOR FIXING TWO VENDING MACHINE	
15	V800876	SCREW T1/2T+ 6,3X19	
16	412037	FIXING PLATE	
17	390139/2	SCREW TTFR+ 4,2X13	
18	412390	VERTICAL SPACER VENDING MACHINE	
19	386237	SCREW TTQST 6MAX16	
20	412092	BOTTOM VERTICAL SPACER	
21	371115	WASHER D.E.6X11	



Pos	Code	Description	Serial Number Nota
22	398224/3	NUT, FLANGED 6MA MILLED	
23	142523	STD COIN INSERT COVER RIVET ASSY	
24	398224/1	NUT, FLANGED 4MA MILLED	
25	410553	STD COIN INSERT COVER	
26	V800569	SCREW TC+ 4,8x6,5	
27	144072	COIN INSERT COVER WELD ASSY	
28	408191	COIN RETURN COVER	